



**Wet-Abrasive-Blasting-System**

„List of Spare Parts“  
torbo<sup>®</sup> L200 to torbo<sup>®</sup> XL320  
1/2001 english



## Contents

<b>List of Spare Parts torbo® L200 / L320 / XL200 / XL320</b> .....	<b>5</b>
0.00.00 torbo® L200 to XL320.....	5
1.00.00 Sieve top .....	6
2.00.00 Vessel (Tank).....	8
2.01.00 Vessel sealing 99.....	9
2.02.00 Overflow.....	10
2.03.00 Internal water 99.....	12
2.04.00 Abrasive outlet 99.....	13
2.05.00 Water feeding pipe 99.....	14
3.00.00 Control cabinet.....	16
3.01.00 Compressed air connection 99-I.....	18
3.02.00 Compressed air connection 99-II.....	20
3.03.00 Controllpart of Piston pump (electrcal and pneumatcal) .....	22
3.04.00 Piston pump.....	26
3.05.00 Switching unit D8099.....	30
3.06.00 Switching unit W5099.....	32
3.07.00 Connection, Switching unit S5099.....	34
3.08.00 Switching unit S5099.....	36
3.09.00 Connetion, Blast hose 99 and Switching unit QS8099.....	38
3.10.00 Connection pump outlet.....	40
3.11.00 Water connetion 99.....	40
3.12.00 Dosing valves .....	41
3.13.00 Powerbox.....	42
4.00.00 Standard Equipment .....	46
4.01.00 Remote control FB S99 .....	48
4.02.00 Remote control FB U99 .....	50
4.03.00 Remote control SL00 .....	52

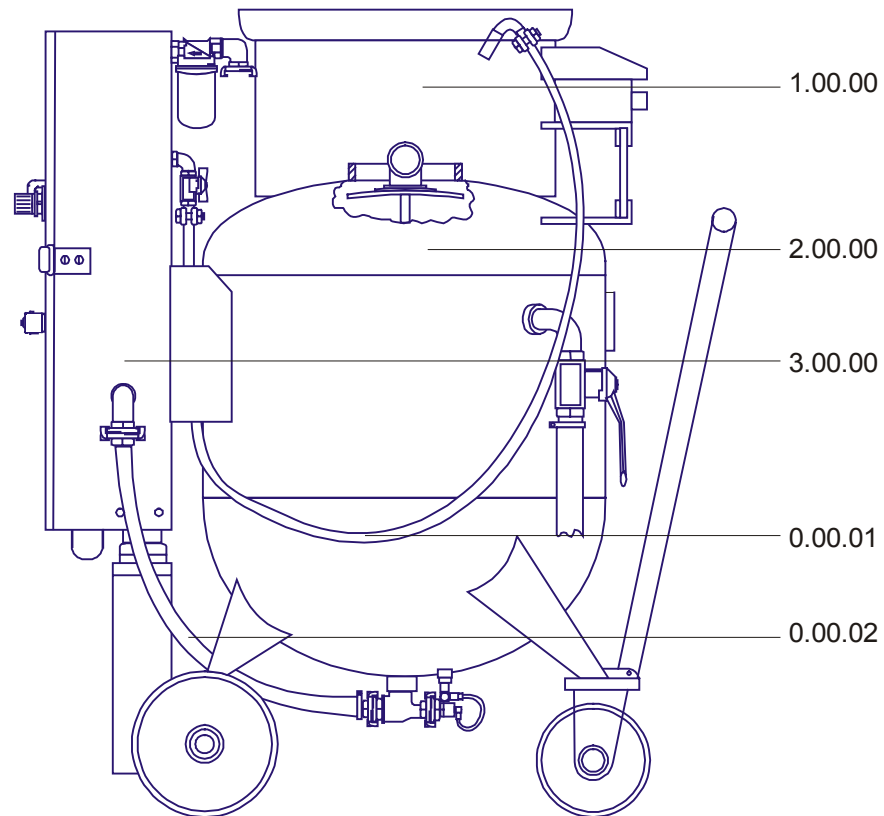


## List of Spare Parts



Listed articles with a denomination which is moved to the right side, are components of the respective articles mentioned before!

### 0.00.00 torbo® L200 to XL320

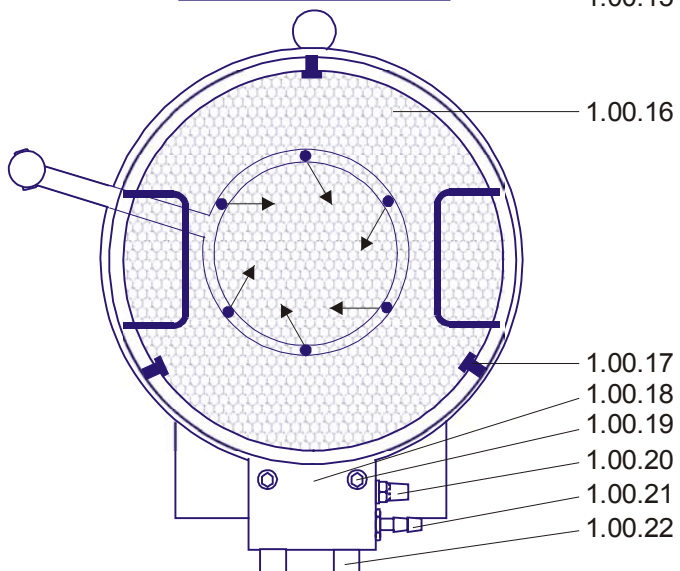
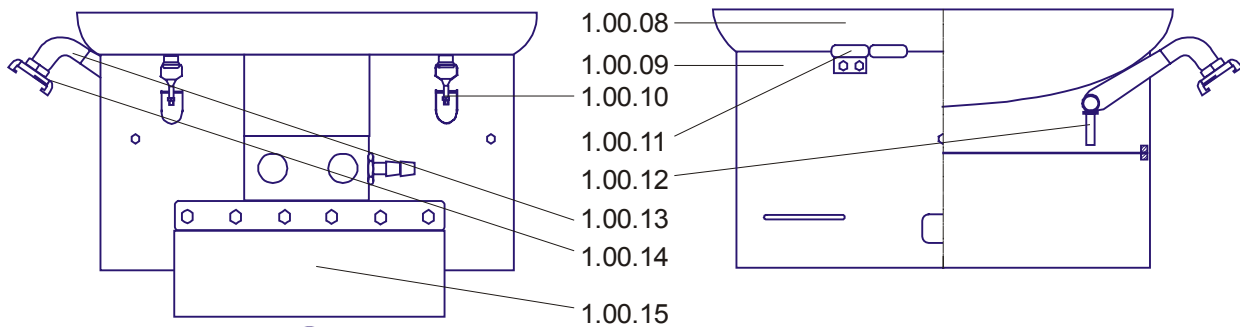
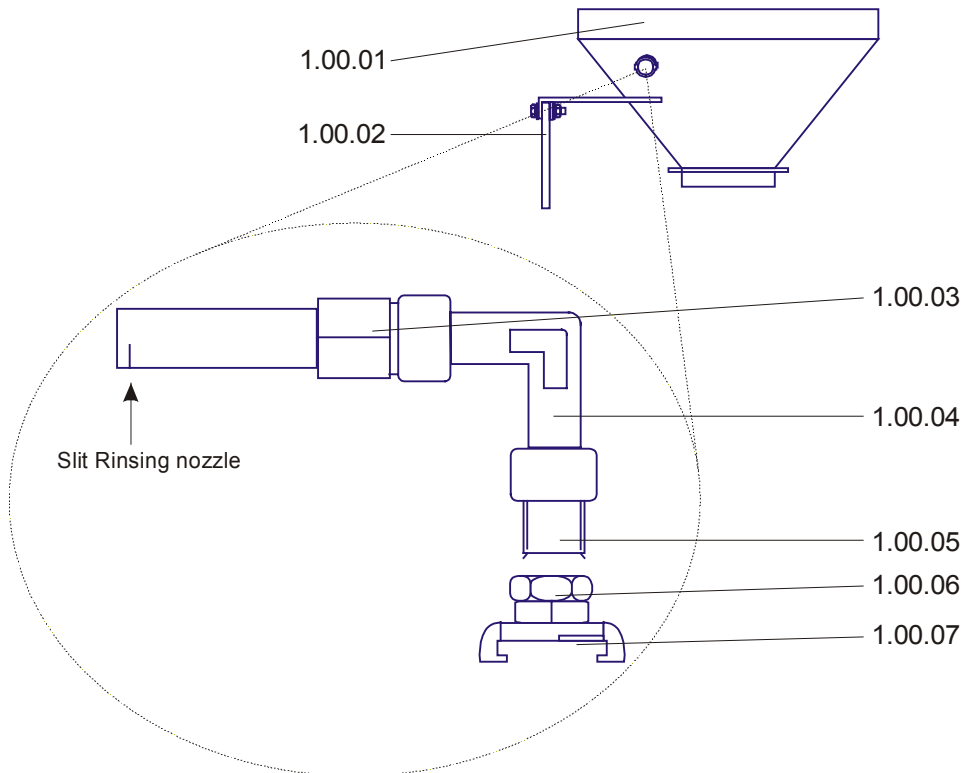
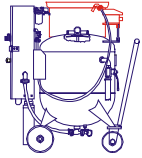


Item	Article	Denomination	Quantity
0.00.00		torbo L200 torbo XL200 torbo L320 torbo XL20	
0.00.01	21 568	Pressure water hose 3/4 – 2,0 m, compl. (for Sieve top)	1
0.00.02	21 055	Abrasive supply hose 19-660, compl.	1
1.00.00		Sieve top	look page 6
2.00.00		Control cabinet	look page 14
3.00.00		Vessel	look page 7



If you need more detailed information, please ask your dealer!

**1.00.00 Sieve top S95 and FS95**

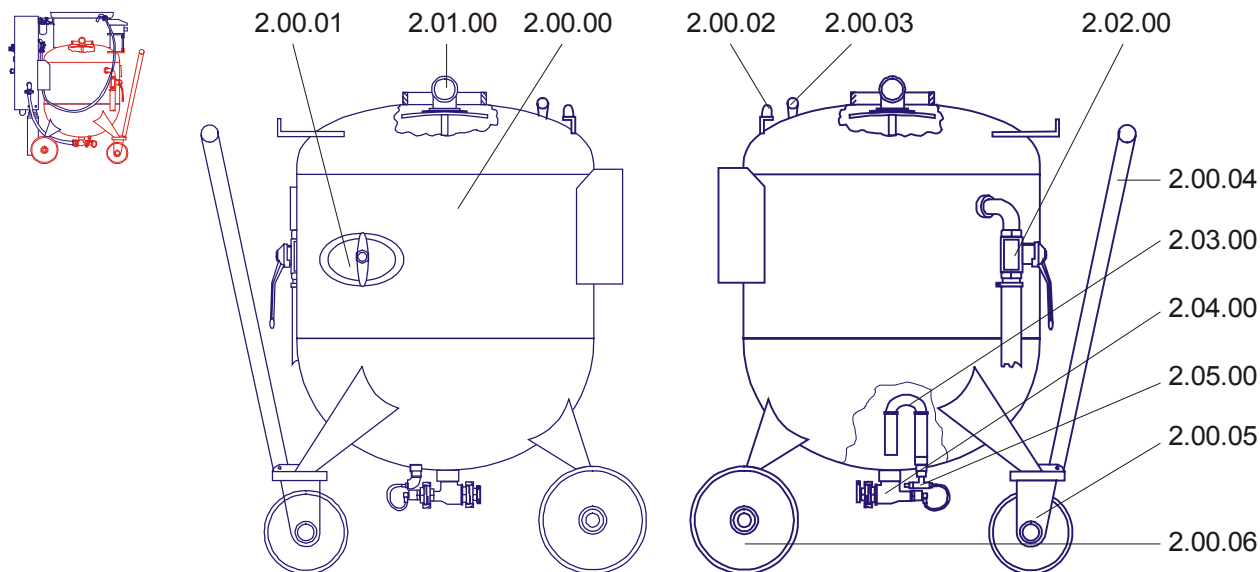


**1.00.00 Sieve top S95 and FS95**

Item	Article	Denomination	Quantity
		<b>For torbo® L200 to XL320 <u>without</u> Kit (203) and <u>without</u> Kit (205)</b>	
1.00.01	21 294	Sieve top S95, compl.	1
1.00.02	21 472	Rubber plate (4-6-Hole), Sieve top 95	1
	20 890	Gripping jaw (4-Hole-blue), Sieve top 95	1
	20 897	Fastening element 08-005	4
	21 473	Gripping jaw (6-Hole-grau), Sieve top 95	1
	20 907	Fastening element 08-020	6
	20 889	Distance-holders, Sieve top S95-200/320	1
	22 239	Fastening element 06-022	2
		<b>For torbo® I200 to XL320 <u>with</u> Kit (203) and <u>without</u> Kit (205)</b>	
1.00.01	21 295	Sieve top S95, compl. (with Kit (203) – Water connection S95)	1
	21 296	Water connection, Sieve top S95, compl.	1
1.00.02	21 472	Rubber plate (4-6-Hole), Sieve top 95	1
	20 890	Gripping jaw (4-Hole-blue), Sieve top 95	1
	20 897	Fastening element 08-005	4
	21 473	Gripping jaw (6-Hole-grau), Sieve top 95	1
	20 907	Fastening element 08-020	6
	20 889	Distance-holders, Sieve top S95-200/320	1
	22 239	Fastening element 06-022	2
1.00.03	21 396	Rinsing nozzle 95	1
1.00.04	20 867	Elbow 1/4, F-Thread	1
1.00.05	20 908	Nippel 1/4, M-Thread	1
1.00.06	20 565	Reduce nippel 1/4-3/8, F/M-Thread	1
1.00.07	20 200	Pressure water coupling (NW 40 mm) 3/8, F-Thread	1
		<b>For torbo® I200 to XL320 <u>with</u> Kit (203) and <u>with</u> Kit (205)</b>	
	20 641	Sieve top FS95, compl.	1
1.00.08	20 304	Fill-in funnel, powder-coat	1
1.00.09	20 326	Reason-frame, powder-coat	1
1.00.10	20 969	Lock, Sieve top FS95, compl.	2
	21 837	Fastening element 06-012	4
1.00.11	21 847	Hinge, Sieve top FS95	2
	21 837	Fastening element 06-012	4
1.00.12	20 305	Rinsing nozzle, Sieve top FS95, compl.	6
1.00.13	20 198	Elbow 3/4, F-Thread	1
1.00.14	20 321	Pressure water coupling (NW 40 mm) 3/4, M-Thread	1
1.00.15	20 319	Rubber plate (6-6-Hole), Sieve top 95	1
	20 891	Gripping jaw (6-Hole-blue), Sieve top 95	1
	21 473	Gripping jaw (6-Hole-grau), Sieve top 95	1
	20 897	Fastening element 08-005	6+6
1.00.16	20 312	Sieve (MW 3,5 mm)	1
	20 977	Sieve (MW 8,0 mm)	1
1.00.17	20 103	Counterpart, Sieve top FS95, compl.	3
1.00.18	20 321	Vibrator Sieve top FS95, compl.	1
	20 127	Ball 50 mm, Vibrator	1
	20 126	Ball-bearing-ring, Vibrator	2
1.00.19	21 475	Fastening element 10-004	2
1.00.20	20 564	Noise surpression 3/8	1
1.00.21	20 332	Fitting 1/2, M-Thread	1
1.00.22	20 331	Rubber-buffer (Vibrator)	2



If you need more detailed information, please ask your dealer!

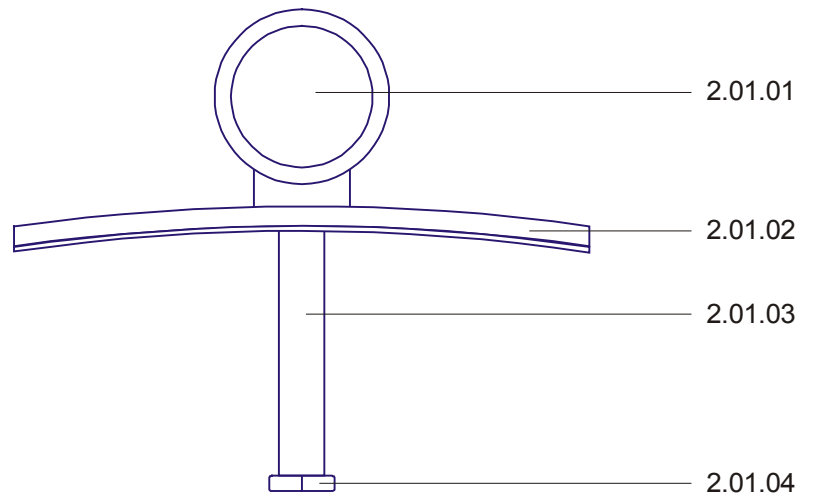
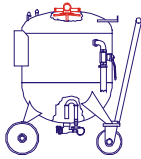
**2.00.00 Vessel (Tank)**

Item	Article	Denomination	Quantity
<b>2.00.00</b>		<b>For torbo® L200 and XL200</b>	<b>1</b>
	20 724	Vessel 200 95, compl.	
	20 721	Vessel 200 95, galvanized, powder-coat	
<b>2.00.00</b>		<b>For torbo® L320 and XL320</b>	<b>1</b>
	20 725	Vessel 320 95, compl.	
	20 722	Vessel 320 95, galvanized, powder-coat	
2.00.01	21 536	Vessel closure (lock), Vessel	1
2.00.02	20 311	Buffer, Sieve top	1
2.00.03	20 582	Pressure relief valve, Vessel, compl.	1
	20 180	Pressure relief valve 3/4 – 12 bar, M-Thread	1
2.00.04	21 535	Tow bar 98, Vessel, compl.	1
	21 395	Fastening element 08-007	1
2.00.05	20 328	Wheel with brake, compl.	2
2.00.06	20 315	Wheel d=280 mm, compl.	2
2.01.00	20 636	Vessel sealing 99, compl.	look page 9
2.02.00		Overflow	look page 10
2.03.00	21 889	Internal water 99, compl. (im Vessel)	look page 12
2.04.00	21 741	Abrasive outlet 99, compl.	look page 13
2.05.00	21 742	Water feeding pipe 99, compl.	look page 14



If you need more detailed information, please ask your dealer!



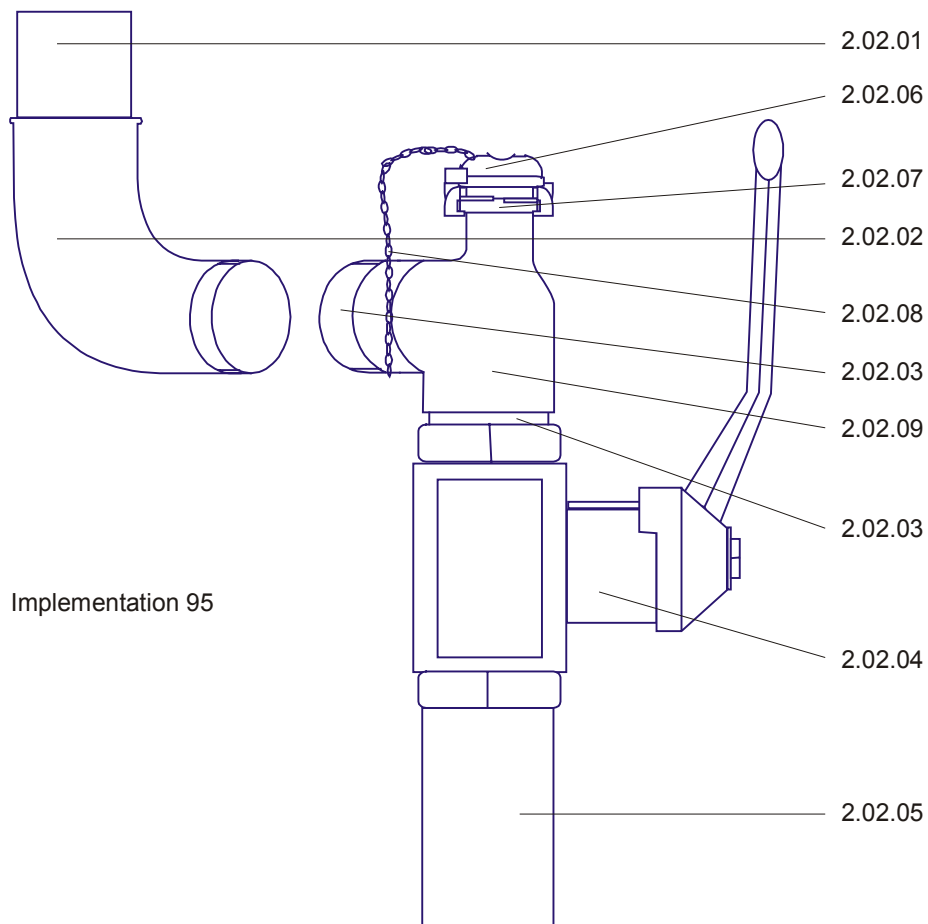
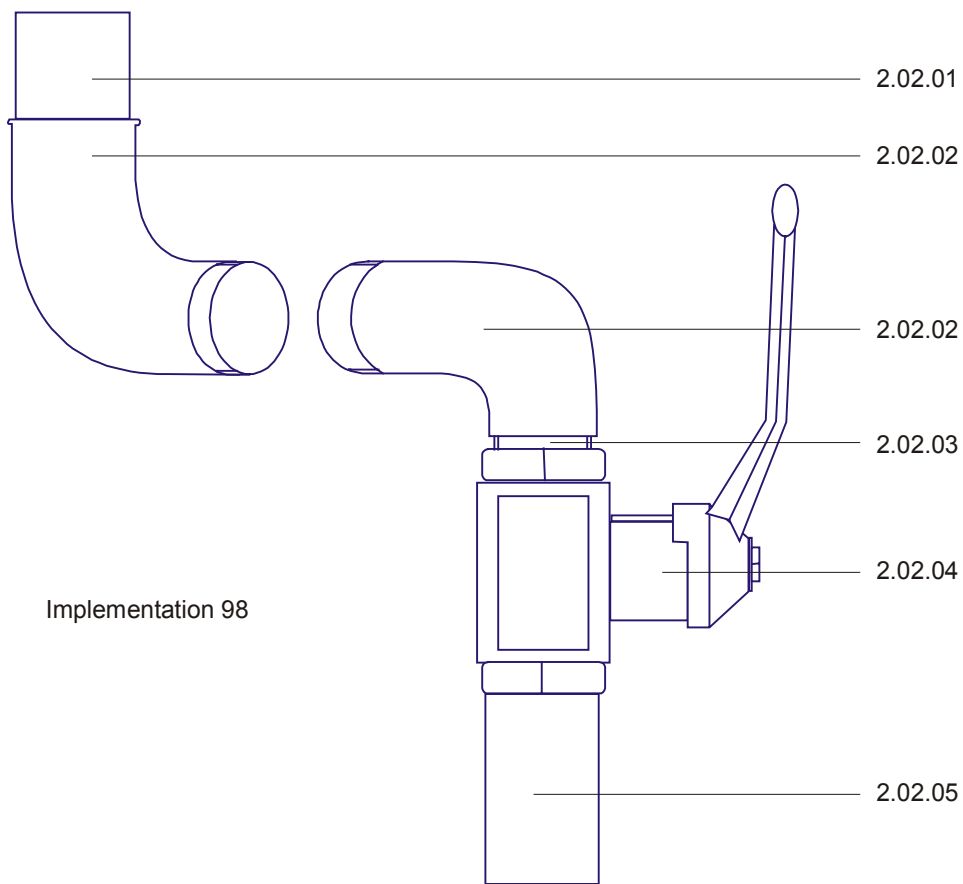
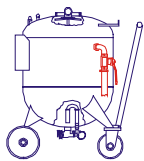
**2.01.00 Vessel sealing 99**

Item	Article	Denomination	Quantity
<b>2.01.00</b>	<b>20 636</b>	<b>Vessel sealing 98, compl., Vessel</b>	<b>1</b>
2.01.01	20 593	Ring-screw M12	1
2.01.02	20 316	Vessel sealing disk 98	1
2.01.03	20 348	Distance-holders 15/11x80mm	1
2.01.04	22 043	Hex. screw DIN 933-M12x90-A2	1



If you need more detailed information, please ask your dealer!

2.02.00 Overflow

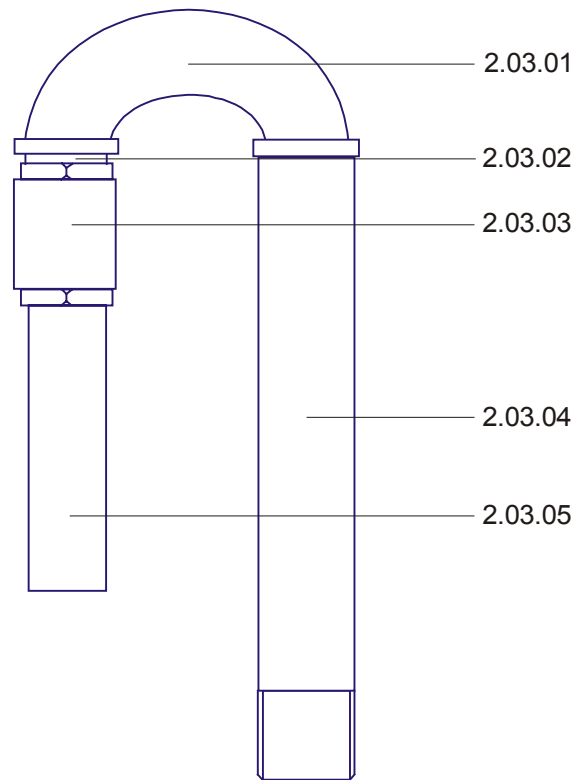
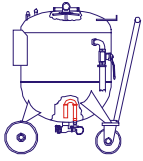


**2.02.00 Overflow**

Item	Article	Denomination	Quantity
<b>2.02.00</b>		<b>Overflow 98</b>	<b>1</b>
	21 057	Overflow 98 (Vessel outside), compl. <u>(Please declare typ of machine!)</u>	1
	20 647	Overflow 95 (Vessel inside), compl.	1
2.02.01	21 005	Nippel 11/2-180 mm, M-Thread	0,5
2.02.02	20 169	Elbow 11/2, F/M-Thread	2
2.02.03	20 171	Nippel 11/2, M-Thread	1
2.02.04	20 335	Venting valve 11/2, F-Thread	1
	20 623	Handle, Venting valve 11/2 (blue)	1
2.02.05	21 005	Nippel 11/2-180 mm, M-Thread	0,5
<b>2.02.00</b>		<b>Overflow 95</b>	<b>1</b>
	20 502	Overflow 95 (Vessel outside), compl.	1
	20 647	Overflow 95 (Vessel inside), compl.	1
2.02.01	21 005	Nippel 11/2-180 mm, M-Thread	0,5
2.02.02	20 169	Elbow 11/2, F/M-Thread	1
2.02.03	20 171	Nippel 11/2, M-Thread	2
2.02.04	20 335	Venting valve 11/2, F-Thread	1
	20 623	Handle, Venting valve 11/2 (blue)	1
2.02.05	21 005	Nippel 11/2-180 mm, M-Thread	0,5
2.02.06	20 197	Pressure water coupling (NW 40 mm), blind	1
2.02.07	21 297	Pressure water coupling (NW 40 mm) 1/2, M-Thread	1
2.02.08	20 125	Chain	0,3
	20 124	Hook, d= 3 mm	2
2.02.09	20 170	T-Fitting 11/2-11/2-1/2, F-Thread	1



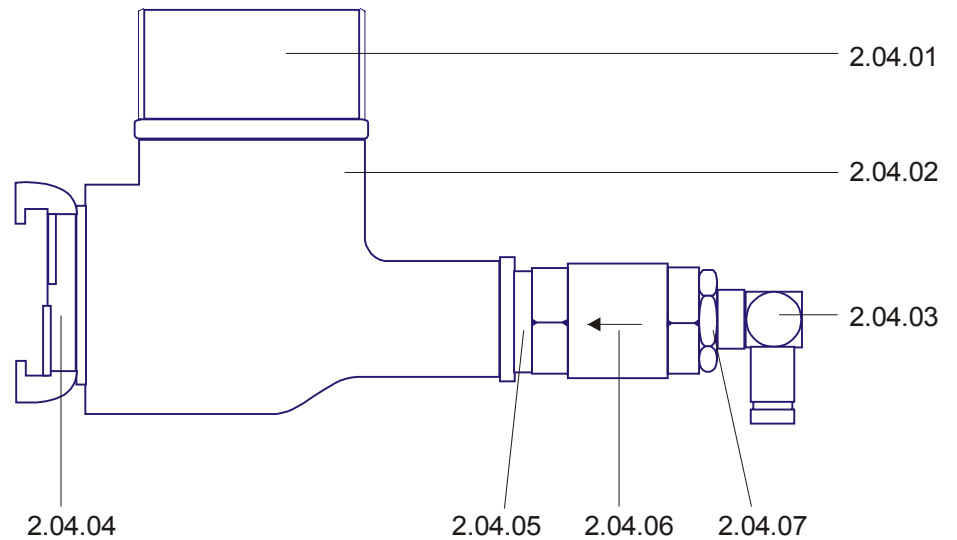
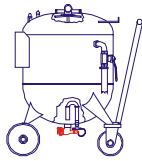
If you need more detailed information, please ask your dealer!

**2.03.00 Internal water 99 (into the Vessel)**

Item	Article	Denomination	Quantity
<b>2.03.00</b>	<b>21 889</b>	<b>Internal water 99, compl., Vessel</b>	<b>1</b>
2.03.01	20 167	Elbow 1/2-180°, F-Thread	1
2.03.02	20 149	Nippel 1/2, M-Thread	1
2.03.03	21 883	Non-return valve 1/2, F-Thread, Form G	1
2.03.04	20 164	Nippel 1/2-180 mm, M-Thread	1
2.03.05	21 884	Nippel 1/2-80 mm, M-Thread	1



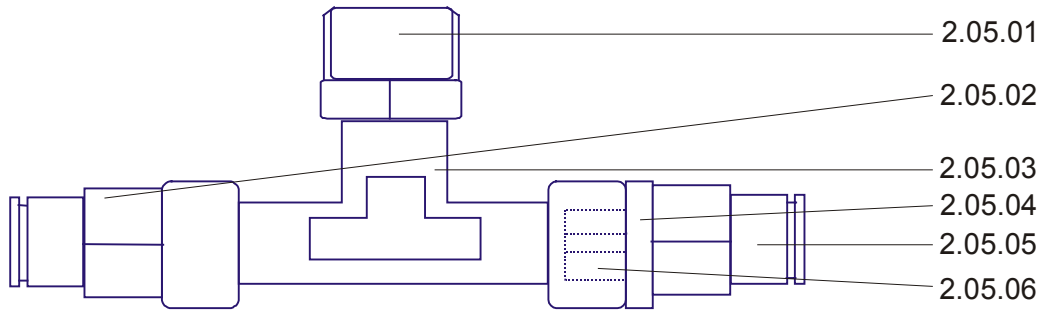
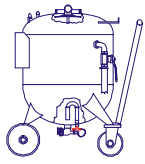
If you need more detailed information, please ask your dealer!

**2.04.00 Abrasive outlet 99**

Item	Article	Denomination	Quantity
<b>2.04.00</b>	<b>21 741</b>	<b>Abrasive outlet 99, compl., Vessel</b>	<b>1</b>
2.04.01	20 171	Nippel 1 1/2, M-Thread	1
2.04.02	20 170	T-Fitting 1 1/2-1 1/2-1/2, F-Thread	1
2.04.03	20 134	Push-In 1/8-06, Form WA	1
2.04.04	20 201	Pressure water coupling (NW 40 mm) 1 1/2, M-Thread	1
2.04.05	20 149	Nippel 1/2 M-Thread	1
2.04.06	21 881	Non-return valve 1/4, F-Thread, Form G	1
2.04.07	20 215	Reduce nippel 1/8-1/2, F/M-Thread	1



If you need more detailed information, please ask your dealer!

**2.05.00 Water feeding pipe 99**

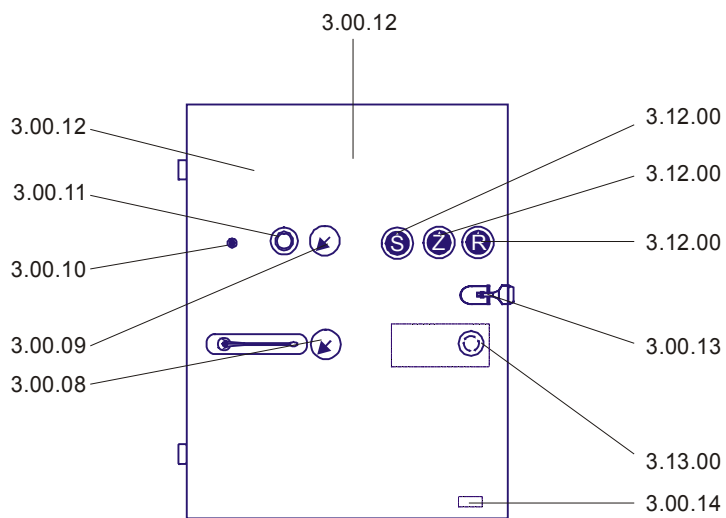
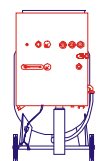
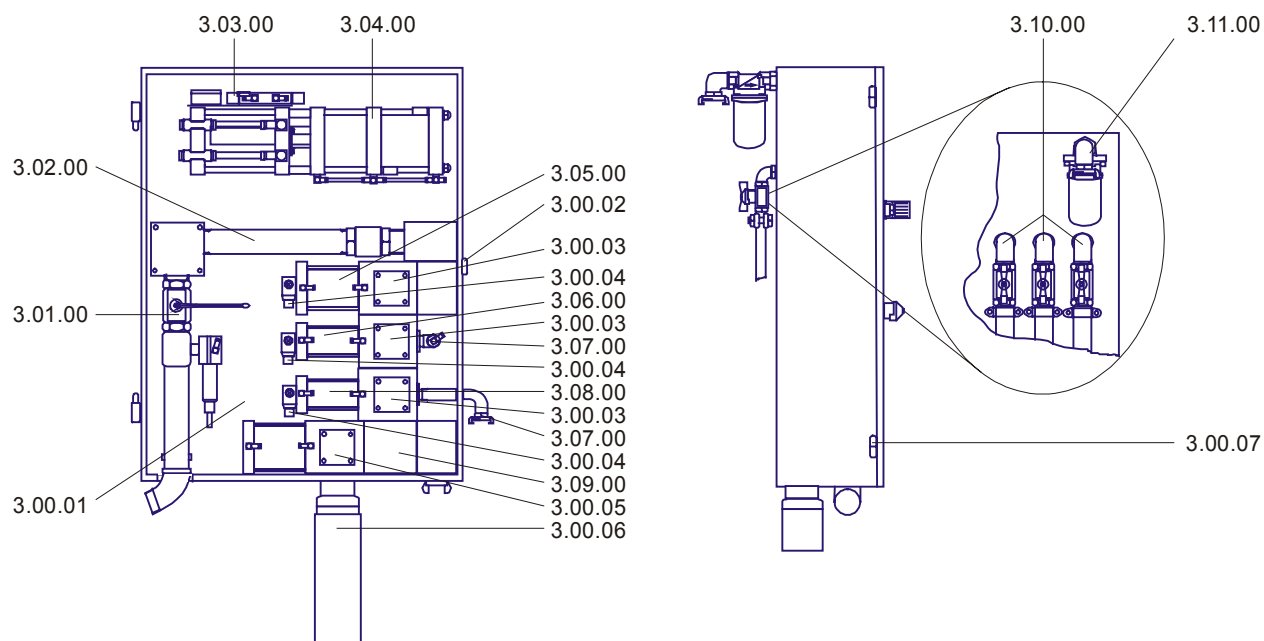
Item	Article	Denomination	Quantity
<b>2.05.00</b>	<b>21 742</b>	<b>Water feeding pipe 99, compl., Vessel</b>	<b>1</b>
2.05.01	20 214	Reduce nippel 3/8-1/2 F/M-Thread	1
2.05.02	20 872	Push-In 3/8-08,Form GA	1
2.05.03	20 297	T-Fitting 3/8 F/M/F-Thread	1
2.05.04	20 338	Reduce nippel 1/8-3/8 F/M-Thread	1
2.05.05	20 129	Push-In 1/8-06,Form GA	1
2.05.06	20 228	Nozzle 1/8 (stuff)	1



If you need more detailed information, please ask your dealer!



### 3.00.00 Control cabinet





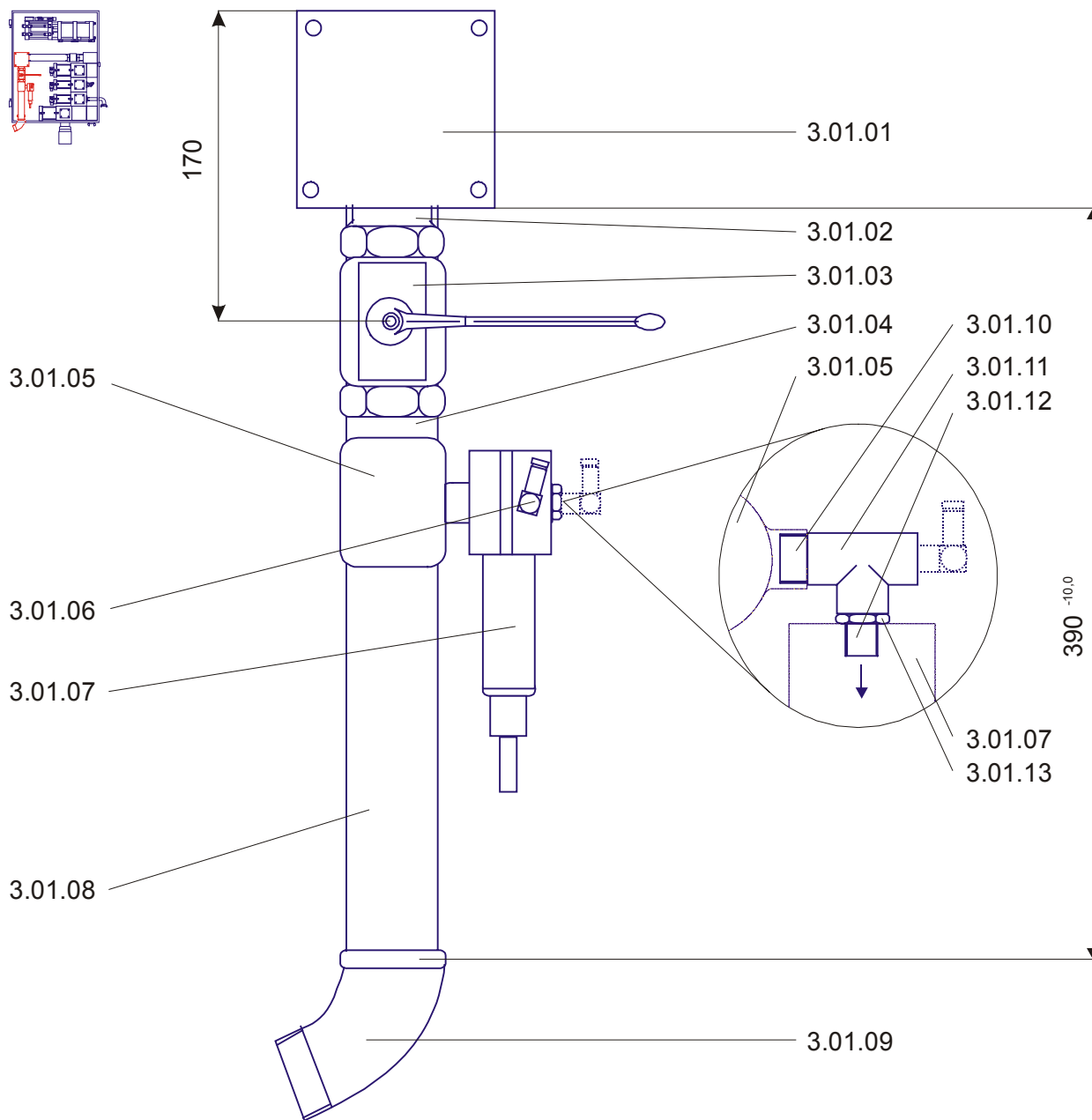
**3.00.00 Control cabinet**

Item	Article	Denomination	Quantity
3.00.01	21 812	Control cabinet frame LXL 99 powder-coat	1
3.00.02	20 517	Hook, Control cabinet, compl.	1
3.00.03	21 686	Locking-plate 99 DWS	1
	20 236	O-Ring 60x3	1
	21 835	Fastening element 06-010	4
	20 112	Hex. screw DIN 933-M6x20-A2	1
	21 397	Feather-ring DIN 137-6,4-A2	1
	21 834	Washer DIN 9021-6,4-A2	1
3.00.04	22 196	Port valve 01-1/8-1, electrical, compl.	1
	22 190	Port valve 01-1/8-1, electrical	1
	22 197	Port valve 01-1/8-1, pneumatical, compl.	1
	22 200	Port valve 01-1/8-1, pneumatical	1
3.00.05	21 900	Locking-plate 99 QS	1
	20 236	O-Ring 60x3	1
	21 835	Fastening element 06-010	4
	20 112	Hex. screw DIN 933-M6x20-A2	1
	21 397	Feather-ring DIN 137-6,4-A2	1
	21 834	Washer DIN 9021-6,4-A2	1
3.00.06	21 853	Outlet hose QS8099, compl.	1
3.00.07	21 847	Hinge 99, compl.	2
3.00.08	21 799	Gauge 99 (Einbau)	1
	20 143	Push-In 1/4-06, Form WI	1
3.00.09	21 799	Gauge 99 (Einbau)	1
	21 559	Push-In 1/4-08, Form WI	1
3.00.10	21 963	Compressed air empty, compl.	1
3.00.11	21 848	Air-Control-element LXL 99, compl.	1
	20 873	Push-In 1/4-06, Form GA	1
	20 136	Push-In 1/4-08, Form WA	1
3.00.12	21 855	Control cabinet door LXL 99 powder-coat	1
3.00.13	20 518	Lock Control cabinet, compl.	1
3.00.14	21 906	Holder, Coupling FB 99, compl.	1
3.01.00		Compressed air connection 99-I	look page 18
3.02.00		Compressed air connection 99-II	look page 20
3.03.00		Controlpart of piston pump	look page 22
3.04.00		Piston pump 3K/080/D	look page 26
3.05.00		Switching unit D8099	look page 30
3.06.00		Switching unit W5099	look page 32
3.07.00		Connections, Switching unit	look page 34
3.08.00		Switching unit S5099	look page 36
3.09.00	21 765	Switching unit QS8099	look page 38
3.10.00		Connections, Pump outlet	look page 40
3.11.00	21 792	Water connection 99	look page 40
3.12.00		Dosing valves	look page 41
3.13.00	21 907	Powerbox	look page 42



If you need more detailed information, please ask your dealer!

**3.01.00 Compressed air connection 99-I**



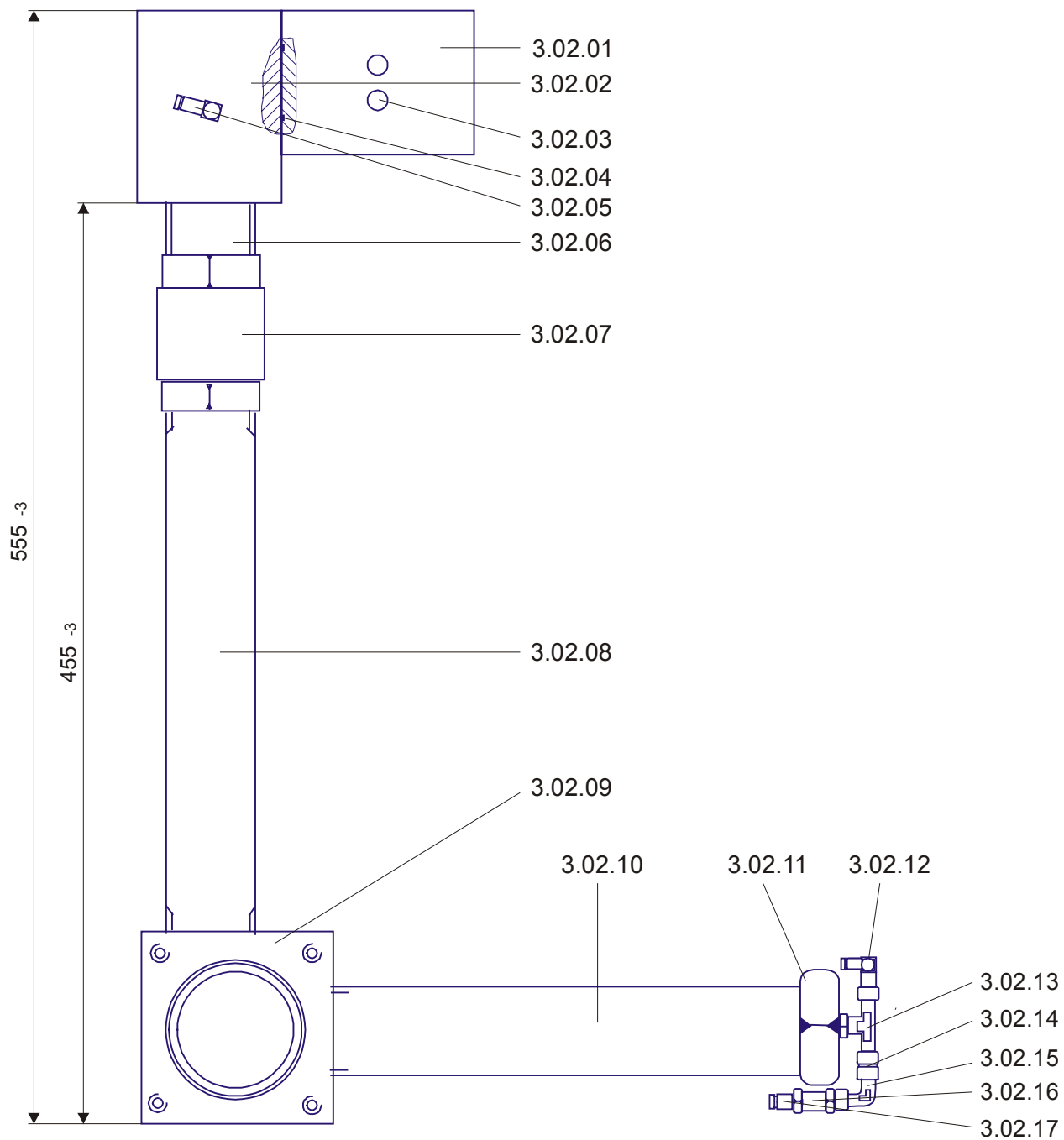
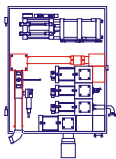
**3.01.00 Compressed air connection 99-I**

Item	Article	Denomination	Quantity
		<b>For torbo® L200 and L320</b>	
3.01.00	21 776	Compressed air connection 99-I-L-150, compl.	1
3.01.01	21 843	Block DL 4-L150	1
3.01.02	22 210	Nippel 11/2x60mm, Stainless steel	2
3.01.03	20 335	Venting valve 11/2, F-Thread	1
	21 829	Venting valve, Extension of handle	1
	20 623	Handle, Venting valve 11/2 (blue)	1
3.01.04	22 212	Nippel 11/2x40mm, Stainless steel	2
3.01.05	20 170	T-Fitting 11/2-11/2-1/2, F-Thread	1
3.01.06	20 136	Push-In 1/4-08, Form WA	1
3.01.07	21 833	Air filter 1499	1
3.01.08	22 206	Nippel 11/2x190mm, Stainless steel	2
3.01.09	21 832	Elbow 11/2-45°, F/M-Thread	1
3.01.10	20 149	Nippel 1/2, M-Thread	1
3.01.11	20 159	T-Fitting 1/2, F-Thread	1
3.01.12	20 908	Nippel 1/4, M-Thread	1
3.01.13	20 213	Reduce nippel 1/2-1/4, M/F-Thread	1
		<b>For torbo® XL200 and XL320</b>	
3.01.00	21 777	Compressed air connection 99-I-XL-200, compl.	1
3.01.01	21 844	Block DL 4-L200	1
3.01.02	22 212	Nippel 2x40mm, Stainless steel	2
3.01.03	21 604	Venting valve 2, F-Thread	1
	21 829	Venting valve, Extension of handle	1
	21 603	Handle, Venting valve 2 (blue)	1
3.01.04	22 212	Nippel 11/2x40mm, Stainless steel	2
3.01.05	21 775	T-Fitting 2-2-1/2, F-Thread	1
3.01.06	20 136	Push-In 1/4-08, Form WA	1
3.01.07	21 833	Air filter 1499	1
3.01.08	22 203	Nippel 2x250mm, Stainless steel	2
3.01.09	21 831	Elbow 2-45°, F/M-Thread	1
3.01.10	20 149	Nippel 1/2, M-Thread	1
3.01.11	20 159	T-Fitting 1/2, F-Thread	1
3.01.12	20 908	Nippel 1/4, M-Thread	1
3.01.13	20 213	Reduce nippel 1/2-1/4, M/F-Thread	1



If you need more detailed information, please ask your dealer!

3.02.00 Compressed air connection 99-II



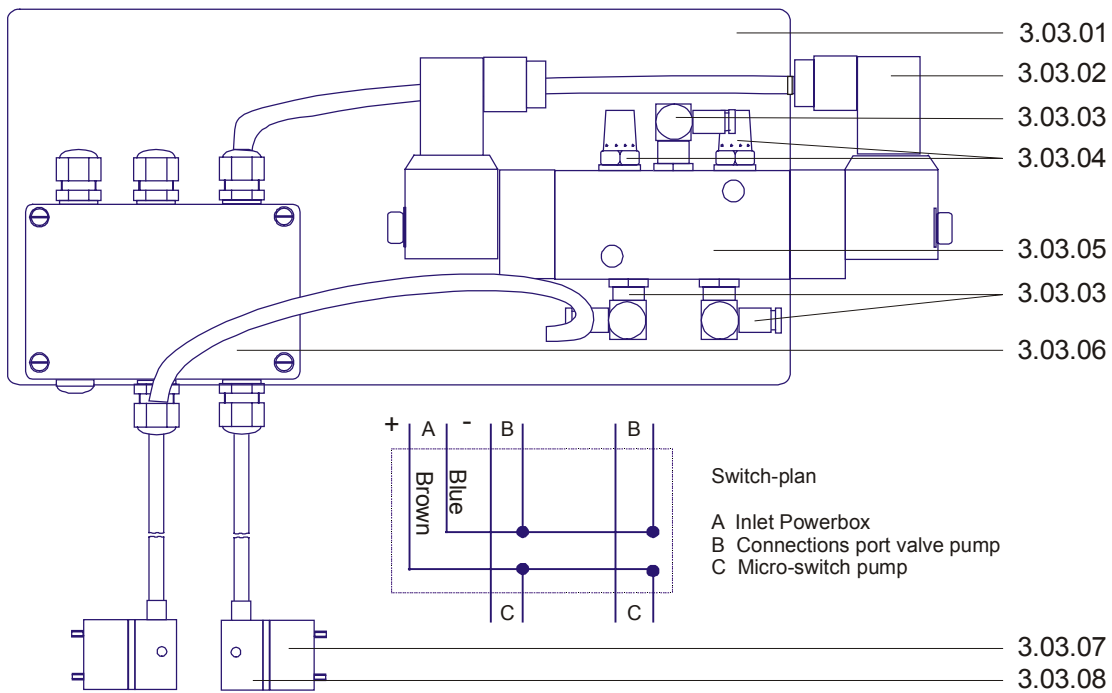
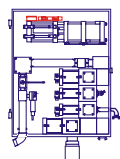
**3.02.00 Compressed air connection 99-II**

Item	Article	Denomination	Quantity
		<b>For torbo® L200 and L320</b>	
3.02.00	21 818	Compressed air connection 99-II-L-150, compl.	1
3.02.01	21 838	Block DL1-650 99	1
	21 836	Fastening element 06-011	4
	21 732	Cylinder-screw DIN 6912-M6x100-A2	1
	21 397	Feather-ring DIN 137-6,4-A2	1
3.02.02	21 840	Block DL2-150 99	1
3.02.03	90 178	Fitting 1/8 (blind)	2
	20 221	Gasket 1/8, Polyamid	2
3.02.04	21 723	O-Ring 67x3 mm	1
3.02.05	20 135	Push-In 1/8-08, Form WA	1
3.02.06	22 210	Nippel 1 1/2 x 60 mm, Stainless steel	1
3.02.07	21 737	Non-return valve 1 1/2", F-Thread, Form G	1
3.02.08	22 205	Nippel 1 1/2 x 290mm, Stainless steel	1
3.02.09	21 842	Block DL3-150 99	1
3.02.10		Nippel 2 x 300mm, Stainless steel	1
3.02.11	21 771	Cap, 2	1
3.02.12	20 136	Push-In 1/4-08, Form WA	1
3.02.13	21 774	T-Fitting 1/4 M/F-Thread	1
3.02.14	20 908	Nippel 1/4 M-Thread	1
3.02.15	20 909	Elbow 1/4 F-Thread	1
3.02.16	20 211	Non-return valve 1/4, M-Thread	1
3.02.17	20 131	Push-In 1/4-08, Form GI	1
		<b>For torbo® XL200 and XL320</b>	
3.02.00	21 778	Compressed air connection 99-II-XL-200, compl.	1
3.02.01	21 838	Block DL1-650 99	1
	21 836	Fastening element 06-011	4
	21 732	Cylinder-screw DIN 6912-M6x100-A2	1
	21 397	Feather-ring DIN 137-6,4-A2	1
3.02.02	21 839	Block DL2-200 99	1
3.02.03	90 178	Fitting 1/8 (blind)	2
	20 221	Gasket 1/8, Polyamid	2
3.02.04	21 723	O-Ring 67x3 mm	1
3.02.05	20 135	Push-In 1/8-08, Form WA	1
3.02.06	22 211	Nippel 2 x 60 mm, Stainless steel	1
3.02.07	21 736	Non-return valve 2, F-Thread, Form G	1
3.02.08	22 204	Nippel 2 x 300mm, Stainless steel	1
3.02.09	21 841	Block DL3-200 99	1
3.02.10		Nippel 2 x 300mm, Stainless steel	1
3.02.11	21 771	Cap, 2	1
3.02.12	20 136	Push-In 1/4-08, Form WA	1
3.02.13	21 774	T-Fitting 1/4 M/F-Thread	1
3.02.14	20 908	Nippel 1/4 M-Thread	1
3.02.15	20 909	Elbow 1/4 F-Thread	1
3.02.16	20 211	Non-return valve 1/4, M-Thread	1
3.02.17	20 131	Push-In 1/4-08, Form GI	1



If you need more detailed information, please ask your dealer!

**3.03.00 Controlpart of piston pump (electrical)**



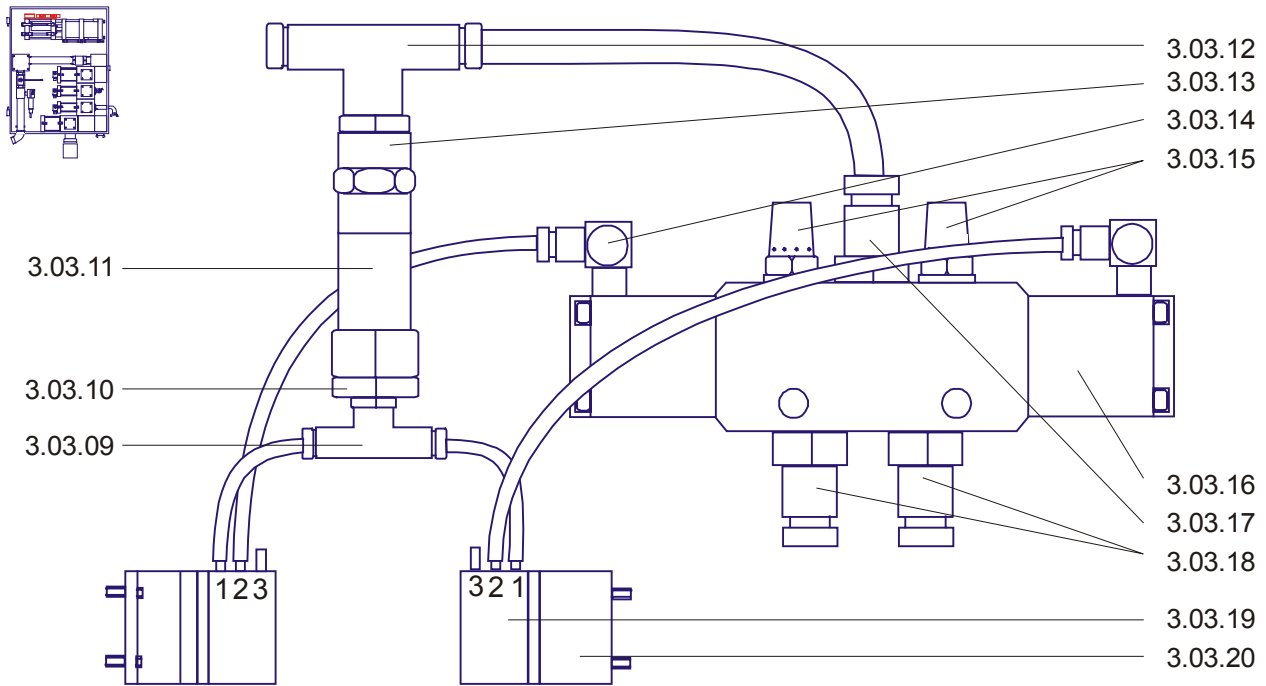
**3.03.00 Controlpart of piston pump (electrical)**

Item	Article	Denomination	Quantity
	<b>22 230</b>	<b>Control 3K/080/DM (electrical), compl.</b>	<b>1</b>
3.03.01	22 229	Plate, Pump control 01 (electrical)	1
3.03.02	22 202	Coupling, Port valve 01 (electrical)	2
	21 342	Cable 2x0,75-1 m	0,400
3.03.03	20 134	Push-In 1/8-06, Form WA	3
3.03.04	20 225	Noise surpression 1/8	2
3.03.05	22 192	Port valve 01-3K/080, compl. (electrical)	1
	22 191	Port valve 01-1/8-2 (electrical)	1
	22 227	Fastening element 04-013	2
	21 901	Screw M4x30	1
	20 948	Hex. nut	1
3.03.06	21 488	Casing, Powerbox	1
	21 328	Termial block (4er)	1
	20 451	Screwing with Strain Relief PG7	5
	20 450	Fitting PG7 (blind)	1
	21 323	Gasket PG7	6
	22 228	Screw DIN 7991-M4x16-A2	2
3.03.07	21 872	Bracket, Micro switch 99	2
3.03.08	20 443	Micro switch Piston pump	2
	<b>22 232</b>	<b>Control 3K/125/EM (electrical), compl.</b>	<b>1</b>
3.03.01	22 229	Plate, Pump control 01 (electrical)	1
3.03.02	22 202	Coupling, Port valve 01 (electrical)	2
	21 342	Cable 2x0,75-1 m	0,400
3.03.03	20 137	Push-In 1/4-10, Form WA	3
3.03.04	20 226	Noise surpression 1/4	2
3.03.05	22 193	Port valve 01-3K/125, compl. (electrical)	1
	22 189	Port valve 01-1/4-2 (electrical)	1
	22 227	Fastening element 04-013	2
	21 901	Screw M4x30	1
	20 948	Hex. nut	1
3.03.06	21 488	Casing, Powerbox	1
	21 328	Termial block (4er)	1
	20 451	Screwing with Strain Relief PG7	5
	20 450	Fitting PG7 (blind)	1
	21 323	Gasket PG7	6
	22 228	Screw DIN 7991-M4x16-A2	2
3.03.07	21 872	Bracket, Micro switch 99	2
3.03.08	20 443	Micro switch Piston pump	2



If you need more detailed information, please ask your dealer!

**3.03.00 Controlpart of piston pump (pneumatical)**





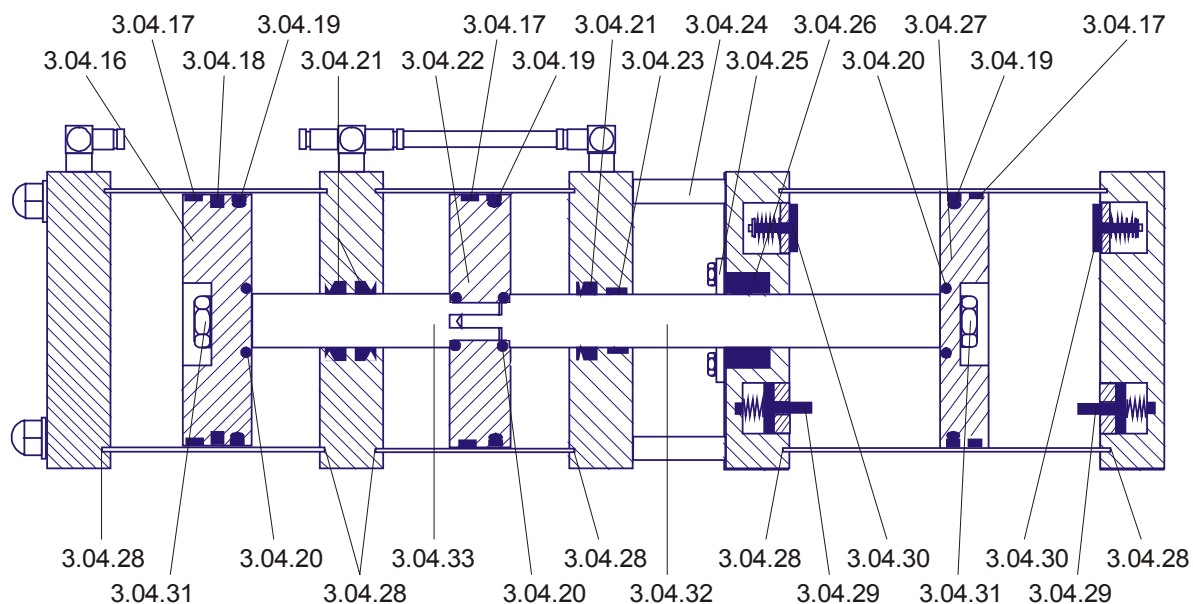
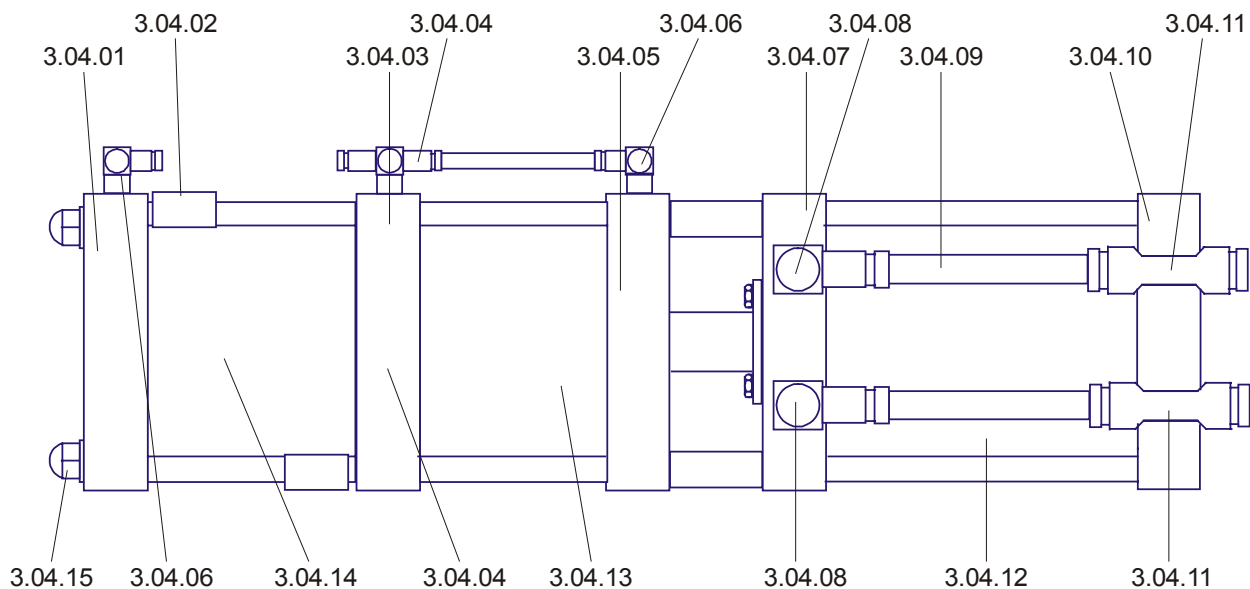
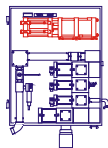
**3.03.00 Controlpart of piston pump (pneumatical)**

Item	Article	Denomination	Quantity
		<b>Control 3K/080/DM (pneumatical), compl.</b>	<b>1</b>
	<b>21 936</b>	<b>Pressure reducer 99DM</b>	<b>1</b>
3.03.09	21 645	Push-In 1/8-05, Form TA	1
3.03.10	20 499	Reduce nippel 1/8-1/4, F/M-Thread	1
3.03.11	21 823	Nippel 1/4-20 mm, F-Thread	1
3.03.12	20 856	Push-In 1/4-06, Form TA	1
3.03.13	21 825	Pressure reducer valve 6,0-1/4, F/M-Thread	1
	<b>22 194</b>	<b>Port valve 01 3K/080/DM compl. pneum.</b>	<b>1</b>
3.03.14	21 411	Push-In M5-05, Form WA	2
3.03.15	20 225	Noise surpression 1/8	2
3.03.16	22 199	Port valve 01-1/8-2 pneum.	1
3.03.17	20 129	Push-In 1/8-06, Form GA	1
3.03.18	20 129	Push-In 1/8-06, Form GA	2
3.03.19	21 871	Micro switch pneum.	2
3.03.20	20 444	Bracket, Micro switch	2
		<b>Control 3K/125/EM (pneumatical), compl.</b>	<b>1</b>
	<b>21 826</b>	<b>Pressure reducer 99EM</b>	<b>1</b>
3.03.09	21 645	Push-In 1/8-05, Form TA	1
3.03.10	20 499	Reduce nippel 1/8-1/4, F/M-Thread	1
3.03.11	21 823	Nippel 1/4-20 mm, F-Thread	1
3.03.12	20 396	Push-In 1/4-10, Form TA	1
3.03.13	21 825	Pressure reducer valve 6,0-1/4, F/M-Thread	1
	<b>22 194</b>	<b>Port valve 01 3K/125/EM compl. pneum.</b>	<b>1</b>
3.03.14	20 134	Push-In 1/8-06, Form WA	2
3.03.15	20 226	Noise surpression 1/4	2
3.03.16	22 198	Port valve 01-1/4-2 pneum.	1
3.03.17	20 137	Push-In 1/4-10, Form WA	1
3.03.18	20 128	Push-In 1/4-08, Form GA	2
3.03.19	21 871	Micro switch pneum.	2
3.03.20	20 444	Bracket, Micro switch	2



If you need more detailed information, please ask your dealer!

**3.04.00 Piston pump 3K/080/DM**



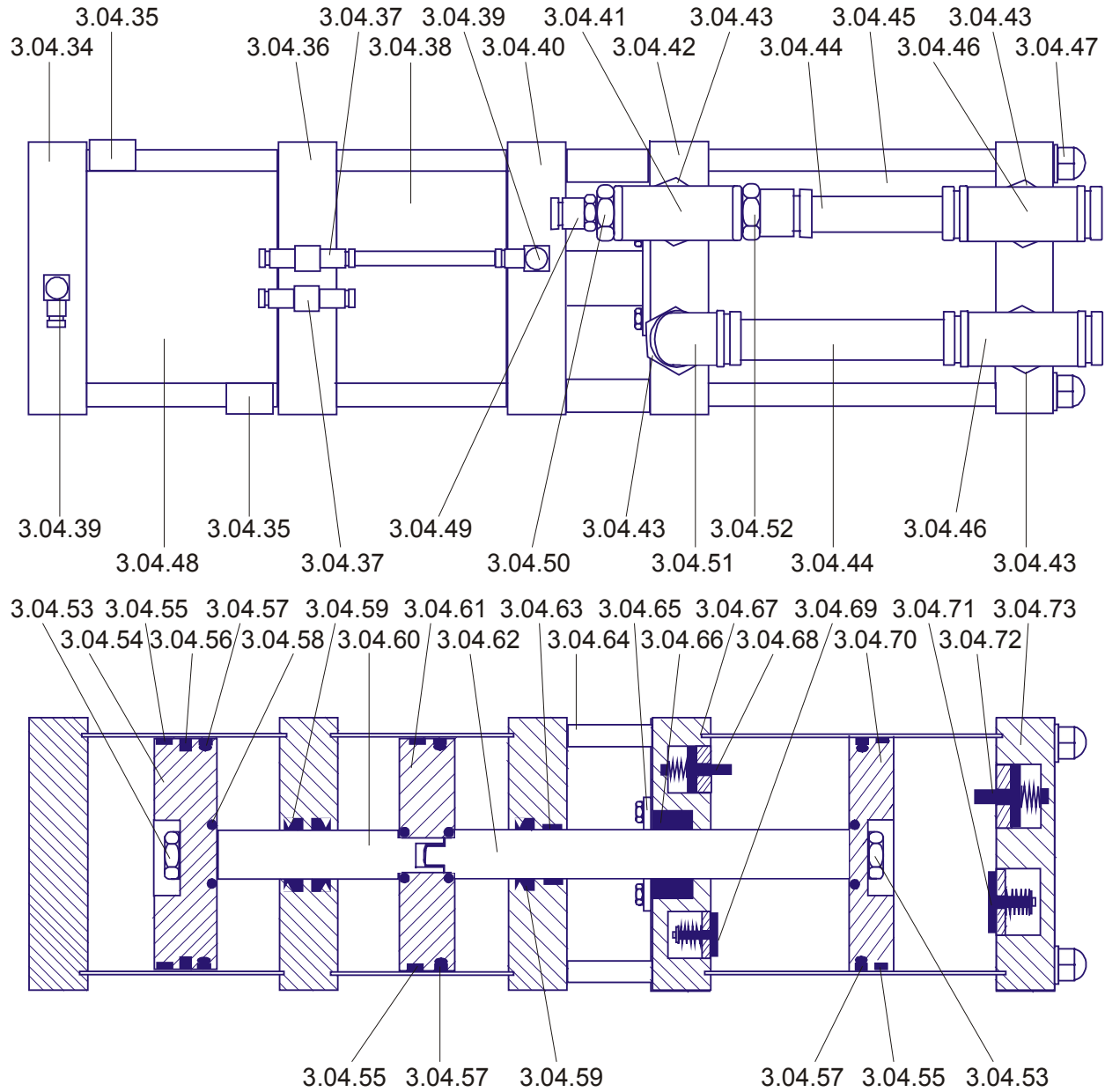
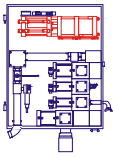
**3.04.00 Piston pump 3K/080/DM**

Item	Article	Denomination	Quantity
<b>3.04.00</b>	<b>20 730</b>	<b>Piston pump 3K/080/DM</b>	<b>1</b>
	<b>20 732</b>	<b>Exchange Piston pump 3K/080/DM</b>	<b>1</b>
3.04.01	20 707	Plate 3K/080/D (1)	1
3.04.02	20 444	Bracket, Micro switch 99	2
3.04.03	20 708	Plate 3K/080/D (2)	1
3.04.04	20 292	Push-In 1/8-06, Form TA	2
3.04.05	20 709	Plate 3K/080/D (3)	1
3.04.06	20 134	Push-In 1/8-06, Form WA	2
3.04.07	20 710	Plate 3K/080/D (4)	1
3.04.08	20 819	Push-In 3/8-12, Form WA	2
3.04.09	21 026	Tube 12x1,50-1.000 mm	0,100
3.04.10	20 711	Plate 3K/080/D (5)	1
3.04.11	21 915	Push-In 3/8-12, Form TA	2
3.04.12	20 717	Cylinder 3K/080/D (W)	1
3.04.13	20 715	Cylinder 3K/080/D (LM)	1
3.04.14	20 716	Cylinder 3K/080/D (L)	1
3.04.15	20 290	Tow bar 3K/080/D, compl.	4
	20 114	Feather-ring DIN 137-11-A2	4
3.04.16	20 713	Piston 3K/080/D (L)	1
3.04.17	21 218	Guiding band 08x1,5-1.000 mm	0,380
3.04.18	20 386	Magnetic band 6x6-240 mm	1
3.04.19	20 734	Gasket 80x64,5x6,3	3
3.04.20	20 726	O-Ring 15x2,5	4
3.04.21	20 238	Gasket 20x28,5x5,5	3
3.04.22	20 712	Piston 3K/080/D (LM)	1
3.04.23	21 217	Guiding band 04x1,5-1.000 mm	0,080
3.04.24	20 255	Distance-holders 15/11-25 mm	4
3.04.25	20 772	Instep-disk 48 mm (with Führung)	1
	21 385	Fastening element 04-001	3
	20 113	Hex. screw DIN 933-M4x12-A2	1
	20 116	Feather-ring DIN 137-4,3-A2	1
3.04.26	20 181	Gasket 20x30x18,5	1
3.04.27	20 714	Piston 3K/080/D (W)	1
3.04.28	20 185	Gasket TEK 08095	6
3.04.29	20 655	Non-return valve TEK 05D95	2
	20 368	Hole-disk, Non-return valve TEK 0595	1
	20 370	Pestles, Non-return valve TEK 05D95	1
	20 375	Pressure-feather TEK 0595	1
3.04.30	20 654	Non-return valve TEK 05S95	2
	20 368	Hole-disk, Non-return valve TEK 0595	1
	20 369	Pestles, Non-return valve TEK 05S95	1
	20 375	Pressure-feather TEK 0595	1
	21 390	Fastening element 03-001	1
	20 383	Cylinder-screw DIN 6912-M3x10-A2	1
	20 927	Washer DIN 9021-3,3-A2	1
3.04.31	21 394	Fastening element 10-003	2
	20 286	Hex. screw DIN 933-M10x25-A2	1
	20 291	Washer DIN 9021-11-A2	1
3.04.32	20 728	Piston-rod 3K/080/D (W), compl.	1
3.04.33	20 727	Piston-rod 3K/080/D (L), compl.	1



If you need more detailed information, please ask your dealer!

**3.04.00 Piston pump 3K/125/EM (Kit 409)**



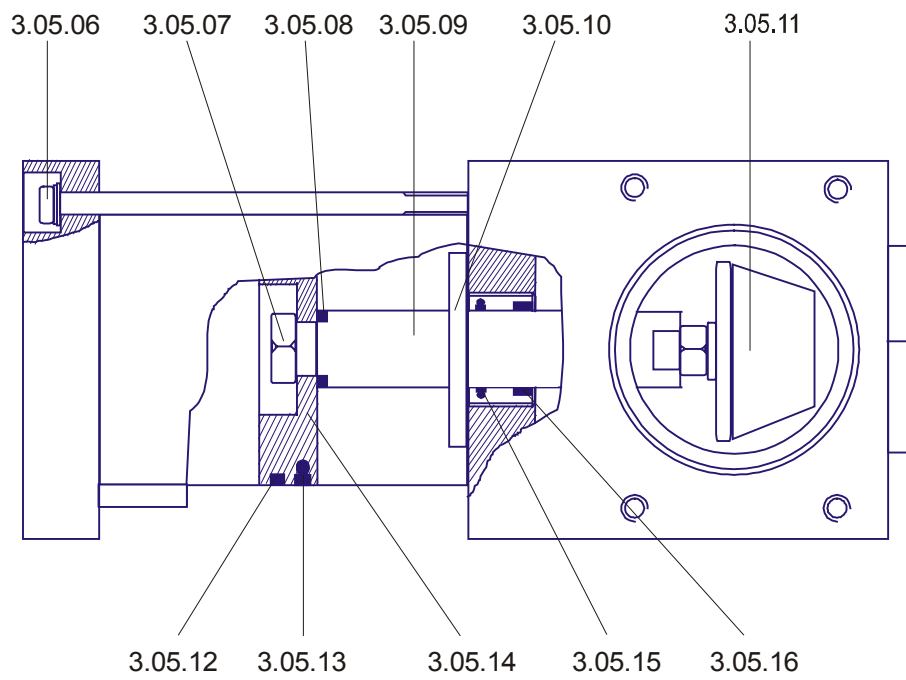
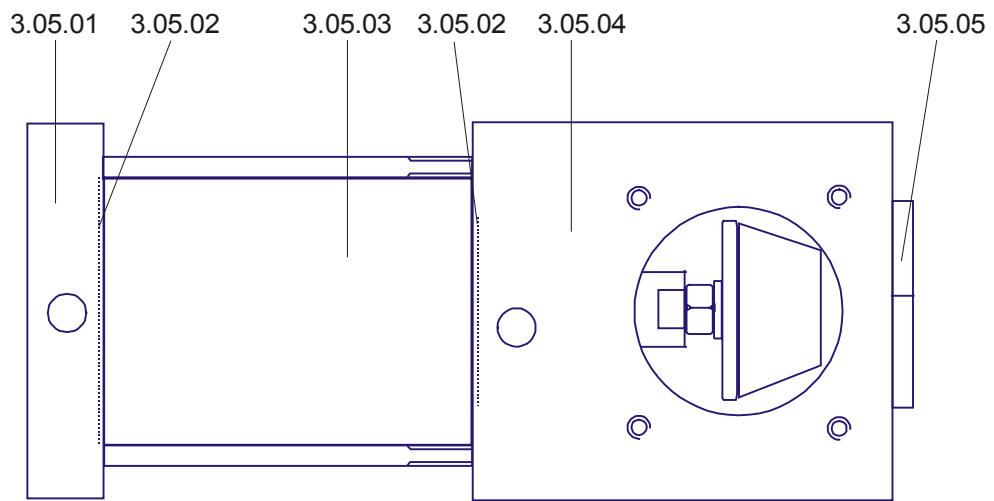
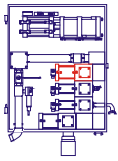
**3.04.00 Piston pump 3K/125/EM (Kit 409)**

Item	Article	Denomination	Quantity
3.04.34	20 746	Plate 3K/125/E (1)	1
3.04.35	21 872	Bracket, Micro switch	2
	21 871	Micro switch 99 Pneumatisch	2
3.04.36	20 747	Plate 3K/125/E (2)	1
3.04.37	20 396	Push-In 1/4-10, Form TA	2
3.04.38	20 754	Cylinder 3K/125/E (LM) (103,5 mm)	1
3.04.39	20 137	Push-In 1/4-10, Form WA	2
3.04.40	20 748	Plate 3K/125/E (3)	1
3.04.41	20 159	T-Fitting 1/2 F-Thread	1
	20 149	Nippel 1/2 M-Thread	1
3.04.42	20 749	Plate 3K/125/E (4)	1
3.04.43	20 293	Reduce nippel 3/4-1 1/2, M/F-Thread	4
3.04.44	21 876	Tube 14x1,50, PA-natur	0,250
3.04.45	20 756	Cylinder 3K/125/E (W) (117,5 mm)	1
3.04.46	21 816	Push-In 1/2-14, Form TA	2
3.04.47	20 745	Tow bar 3K/125/E, compl.	4
	20 114	Feather-ring 11 mm, Stainless steel	4
3.04.48	20 755	Cylinder 3K/125/E (L) (113,5 mm)	1
3.04.49	20 872	Push-In 3/8-08, Form GA	1
3.04.50	20 214	Reduce nippel 3/8-1/2, F/M-Thread	1
3.04.51	21 817	Push-In 1/2-14 Form WA	1
3.04.52	21 797	Push-In 1/2-14 Form GA	1
3.04.53	21 478	Fastening element 12-001	2
	20 132	Hex. screw DIN 933-M12x25-A2	1
	20 111	Washer DIN 9021-13-A2	1
3.04.54	20 752	Piston 3K/125/E (L)	1
3.04.55	21 219	Guiding band 15x1,5 – 1.000 mm	1,200
3.04.56	20 163	Magnetic band 6x6-373 mm	1
3.04.57	20 735	Gasket 125x109,5x6,3	3
3.04.58	20 821	O-Ring 17,96x2,62 mm	4
3.04.59	20 403	Gasket 25x35x7	3
3.04.60	20 759	Piston-rod 3K/125/E (L), compl.	1
3.04.61	20 751	Piston 3K/125/E (LM)	1
3.04.62	20 760	Piston-rod 3K/125/E (W), compl.	1
3.04.63	21 218	Guiding band 08x1,5 – 1.000 mm	0,080
3.04.64	20 255	Distance-holders 15/11-25 mm	4
3.04.65	20 772	Instep-disk 50 mm (with Führung)	1
	21 385	Fastening element 04-001	3
	20 113	Hex. screw DIN 933-M4x12-A2	1
	21 372	Feather-ring DIN 137-4,3-A2	1
3.04.66	20 770	Gasket 25x37,5x22,5 (Pumpe)	1
3.04.67	20 389	Gasket TEK 12595	6
3.04.68	20 762	Non-return valve TEK 10D95	2
3.04.69	20 761	Non-return valve TEK 10S95	2
3.04.70	20 753	Piston 3K/125/E (W)	1
3.04.71	20 768	Non-return valve TEK 15S95	1
3.04.72	20 769	Non-return valve TEK 15D95	1
3.04.73	20 750	Plate 3K/125/E (5)	1



If you need more detailed information, please ask your dealer!

**3.05.00 Switching unit D8099**



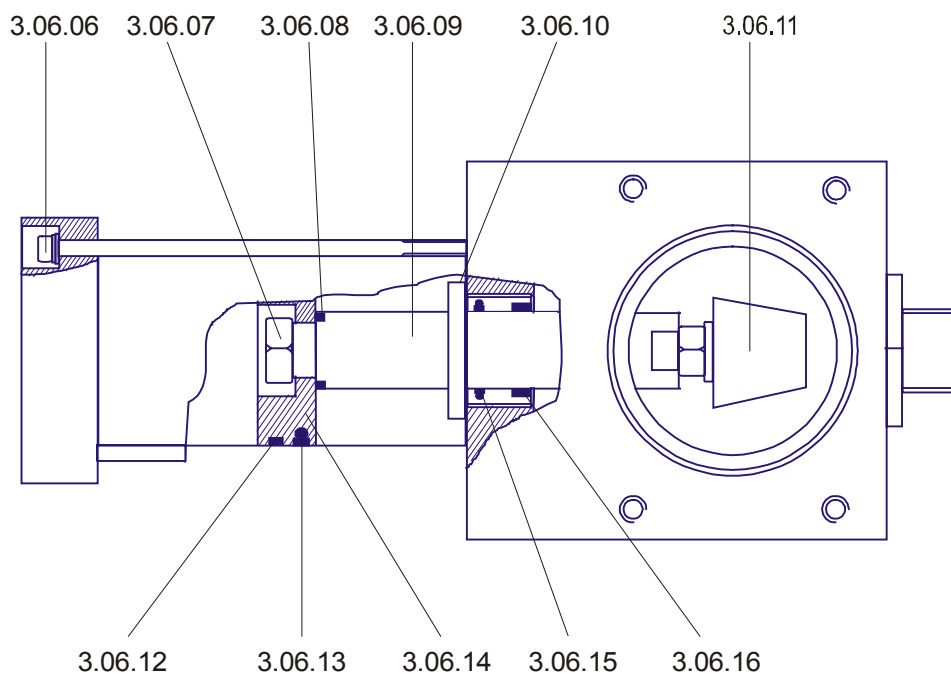
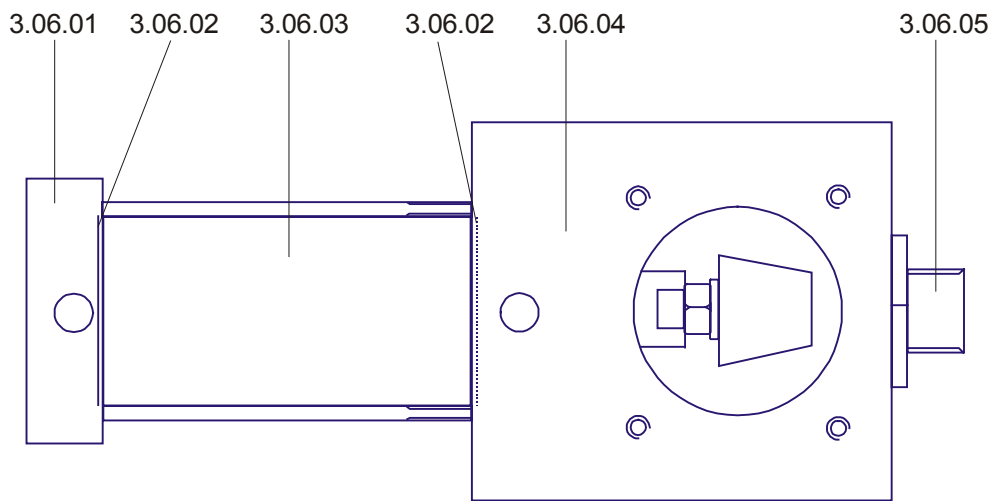
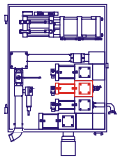
**3.05.00 Switching unit D8099**

<b>Item</b>	<b>Article</b>	<b>Denomination</b>	<b>Quantity</b>
<b>3.05.00</b>	<b>21 761</b>	<b>Switching unit D8099</b>	
3.05.01	21 755	Plate Switching unit 8099	1
3.05.02	20 185	Gasket TEK 08095	2
3.05.03	21 756	Cylinder 8099	1
3.05.04	21 757	Block 8099	1
3.05.05	21 758	Counterpart 8099	1
3.05.06	21 891	Fastening element 06-014	4
	21 733	Cylinder-screw DIN 912-M6x120-A2	1
	20 945	Washer DIN 125-6,4-A2	1
	21 397	Feather-ring DIN 137-6,4-A2	1
3.05.07	21 384	Fastening element 08-001	1
	20 109	Hex. screw DIN 933-M8x16-A2	1
	20 118	Washer DIN 125-8,4-A2	1
3.05.08	21 728	O-Ring 12x1,5	1
3.05.09	21 749	Piston-rod 50/8099	1
3.05.10	21 750	Guiding socket 50/8099	1
3.05.11	21 759	Locking stopper 8099	1
	21 890	Fastening element 08-009	1
	20 117	Hex. nut DIN 934-M8-A2	1
	20 119	Feather-ring DIN 137-8,4-A2	1
3.05.12	21 218	Guiding band 08x1,5-1.000 mm	0,250
3.05.13	20 411	Gasket 80x67,5x5,6	1
3.05.14	21 760	Piston 8099	1
3.05.15	21 729	Gasket set 20x22x4,3	1
3.05.16	21 730	Wiper 20x8	1



If you need more detailed information, please ask your dealer!

**3.06.00 Switching unit W5099**





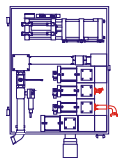
**3.06.00 Switching unit W5099**

<b>Item</b>	<b>Article</b>	<b>Denomination</b>	<b>Quantity</b>
<b>3.06.00</b>	<b>21 753</b>	<b>Switching unit W5099</b>	
3.06.01	21 744	Plate, Switching unit 5099	1
3.06.02	20 186	Gasket TEK 05095	2
3.06.03	21 745	Cylinder 5099	1
3.06.04	21 746	Block W5099	1
3.06.05	21 748	Counterpart 5099	1
3.06.06	21 891	Fastening element 06-014	4
	21 733	Cylinder-screw DIN 912-M6x120-A2	1
	20 945	Washer DIN 125-6,4-A2	1
	21 397	Feather-ring DIN 137-6,4-A2	1
3.06.07	21 384	Fastening element 08-009	1
	20 109	Hex. screw DIN 933-M8x16-A2	1
	20 118	Washer DIN 125-8,4-A2	1
3.06.08	21 728	O-Ring 12x1,5	1
3.06.09	21 749	Piston-rod 50/8099	1
3.06.10	21 750	Guiding socket 50/8099	1
3.06.11	21 751	Locking stopper 5099	1
	21 890	Fastening element 08-010	1
	20 117	Hex. nut DIN 934-M8-A2	1
	20 119	Feather-ring DIN 137-8,4-A2	1
3.06.12	21 218	Guiding band 08x1,5-1.000 mm	0,155
3.06.13	20 391	Gasket 50x37,5x5,6	1
3.06.14	21 752	Piston 5099	1
3.06.15	21 729	Gasket set 20x22x4,3	1
3.06.16	21 730	Wiper 20x8	1

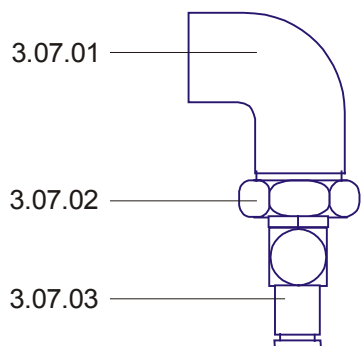


If you need more detailed information, please ask your dealer!

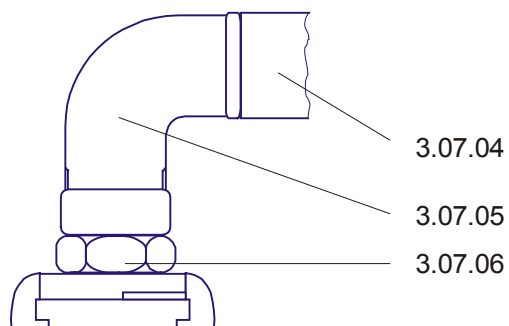
**3.07.00 Connection, Switching unit S5099**



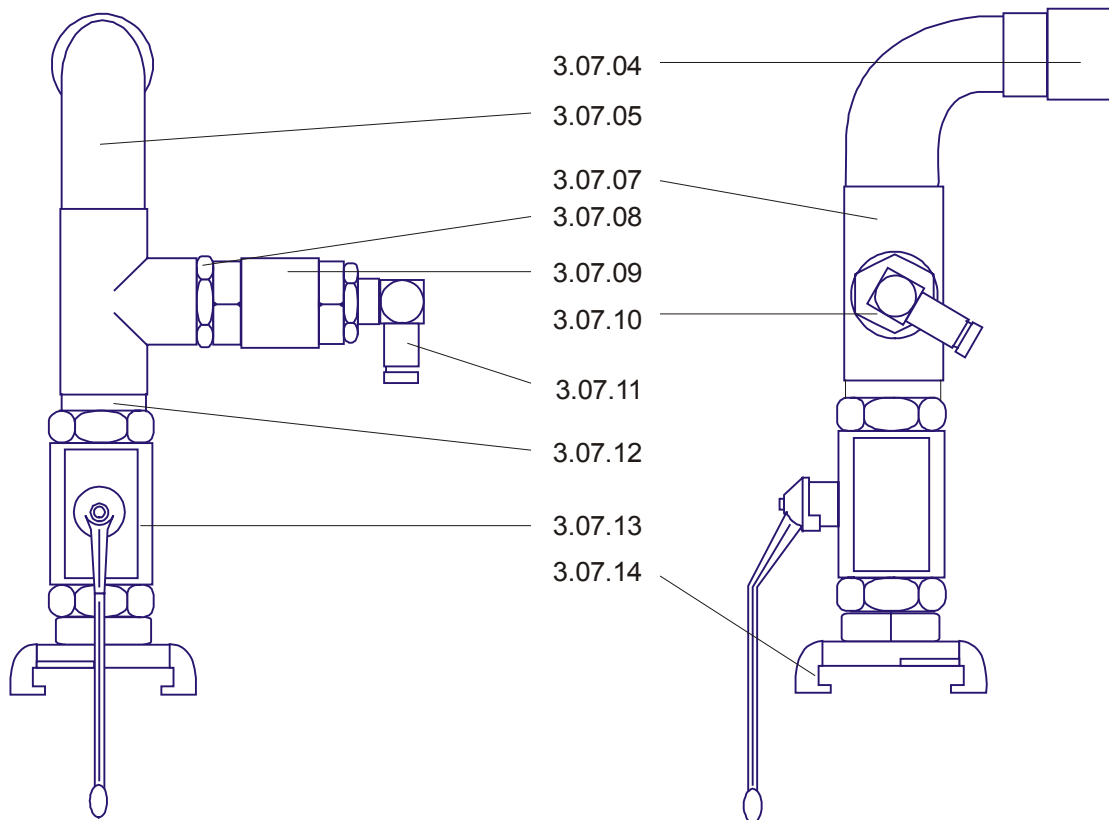
Connection, Switching unit W5099



ConnectionS, Switching unit S5099



Connection ZW, Switching unit S5099 (Kit 511)



**3.07.00 Connections, Switching unit**

Connection, Switching unit W5099

Item	Article	Denomination	Quantity
<b>3.07.00</b>	<b>21 813</b>	<b>Connection, Switching unit W5099</b>	
3.07.01	20 156	Elbow 3/4, F-Thread	1
3.07.02	20 220	Reduce nippel 3/8-3/4, F/M-Thread	1
3.07.03	20 872	Push-In 3/8-08, Form GA	1

Connection S, Switching unit S5099

Item	Article	Denomination	Quantity
<b>3.07.00</b>	<b>20 652</b>	<b>Connection S, Switching unit S5099</b>	
3.07.04	21 815	Extension nippel 3/4-65 mm, M/F-Thread	1
3.07.05	20 789	Elbow 90°-3/4, F/M-Thread	1
3.07.06	20 425	Pressure water coupling (NW 40mm) 3/4, F-Thread	1

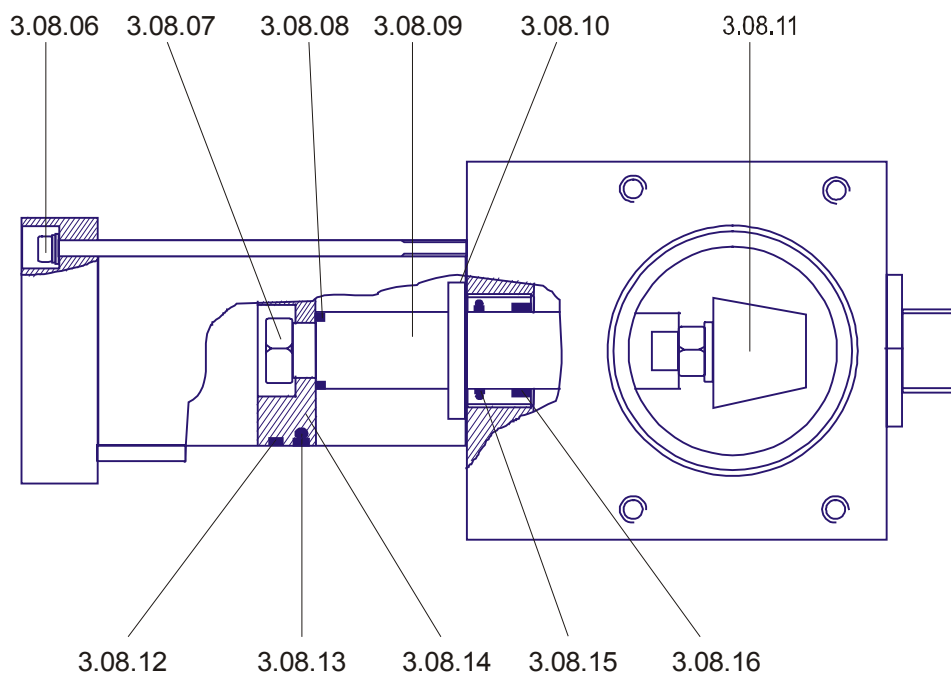
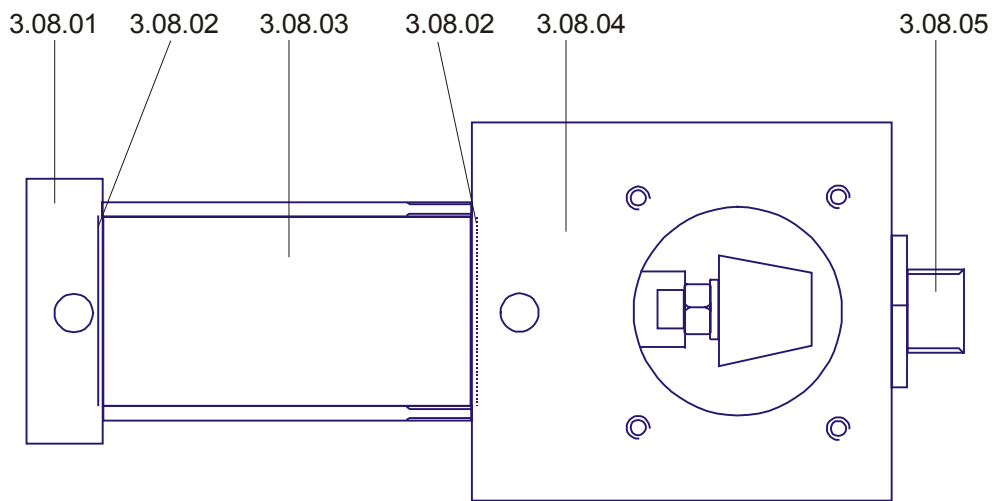
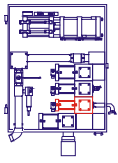
Connection ZW, Switching unit S5099 (Kit 511)

Item	Article	Denomination	Quantity
<b>3.07.00</b>	<b>21 968</b>	<b>Connection ZW, Switching unit S5099 (Kit 511)</b>	
3.07.04	21 815	Extension nippel 3/4-65 mm, M/F-Thread	1
3.07.05	20 789	Elbow 90°-3/4, F/M-Thread	1
3.07.07	20 160	T-Fitting 3/4 ,F-Thread	1
3.07.08	22 082	Nippel 3/4-1/2, M-Thread	1
3.07.09	21 883	Non-return valve 1/2 gerade, F-Thread	1
3.07.10	20 213	Reduce nippel 1/4-1/2, F/M-Thread	1
3.07.11	20 136	Push-In 1/4-08, Form WA	1
3.07.12	20 150	Nippel 3/4, M-Thread	1
3.07.13	20 204	Venting valve 3/4, F-Thread	1
	21 130	Handle, Venting valve 3/4 (blue)	1
3.07.14	20 198	Pressure water coupling (NW 40mm) 3/4, M-Thread	1



If you need more detailed information, please ask your dealer!

**3.08.00 Switching unit S5099**



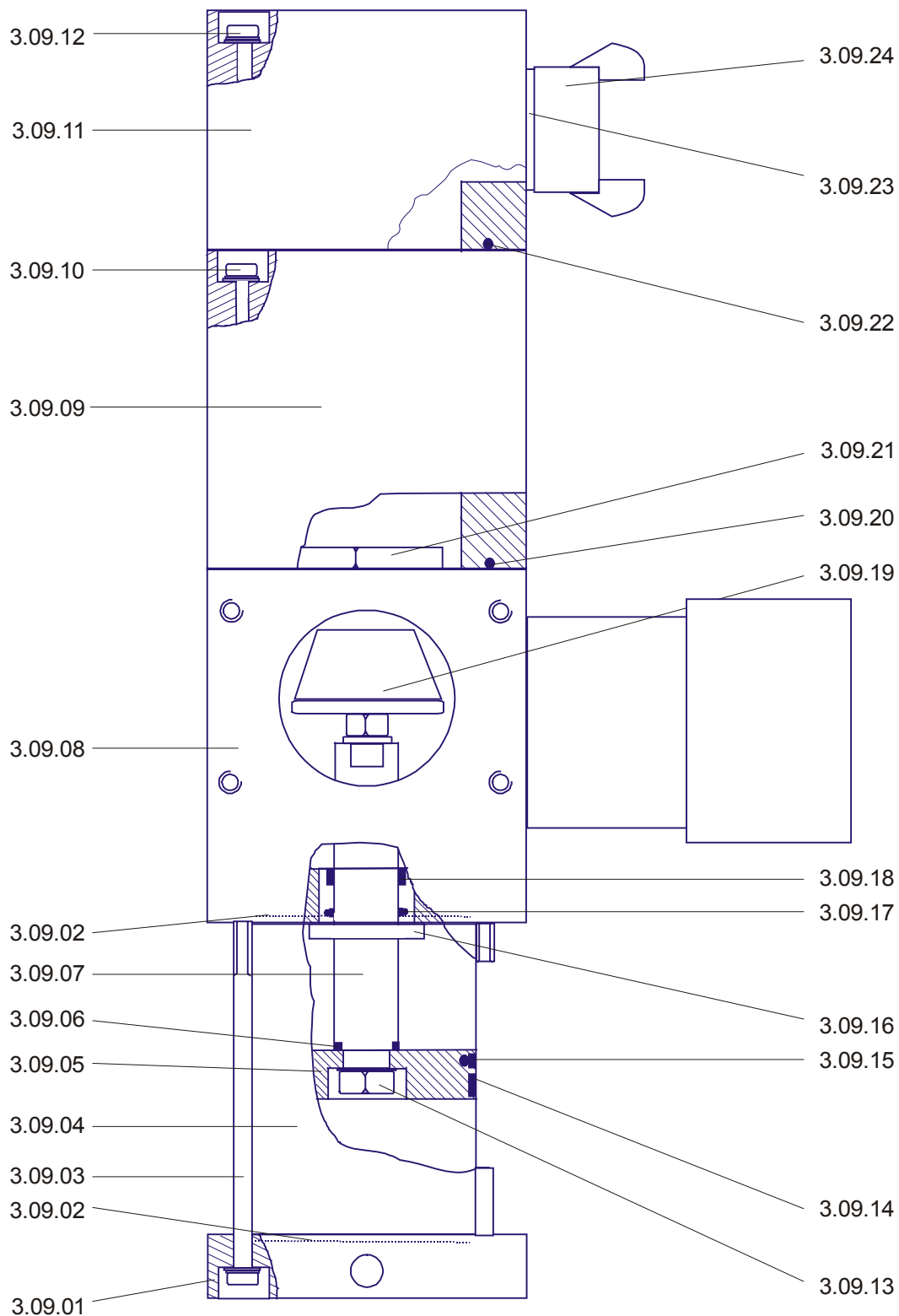
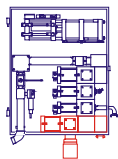
**3.08.00 Switching unit S5099**

<b>Item</b>	<b>Article</b>	<b>Denomination</b>	<b>Quantity</b>
<b>3.08.00</b>	<b>21 754</b>	<b>Switching unit S5099</b>	
3.08.01	21 744	Plate, Switching unit 5099	1
3.08.02	20 186	Gasket TEK 05095	2
3.08.03	21 745	Cylinder 5099	1
3.08.04	21 747	Block S5099	1
3.08.05	21 748	Counterpart 5099	1
3.08.06	21 891	Fastening element 06-014	4
	21 733	Cylinder-screw DIN 912-M6x120-A2	1
	20 945	Washer DIN 125-6,4-A2	1
	21 397	Feather-ring DIN 137-6,4-A2	1
3.08.07	21 384	Fastening element 08-009	1
	20 109	Hex. screw DIN 933-M8x16-A2	1
	20 118	Washer DIN 125-8,4-A2	1
3.08.08	21 728	O-Ring 12x1,5	1
3.08.09	21 749	Piston-rod 50/8099	1
3.08.10	21 750	Guiding socket 50/8099	1
3.08.11	21 751	Locking stopper 5099	1
	21 890	Fastening element 08-010	1
	20 117	Hex. nut DIN 934-M8-A2	1
	20 119	Feather-ring DIN 137-8,4-A2	1
3.08.12	21 218	Guiding band 08x1,5-1.000 mm	0,155
3.08.13	20 391	Gasket 50x37,5x5,6	1
3.08.14	21 752	Piston 5099	1
3.08.15	21 729	Gasket set 20x22x4,3	1
3.08.16	21 730	Wiper 20x8	1



If you need more detailed information, please ask your dealer!

**3.09.00 Connection Blast hose 99 and Switching unit QS8099 (Kit 411)**

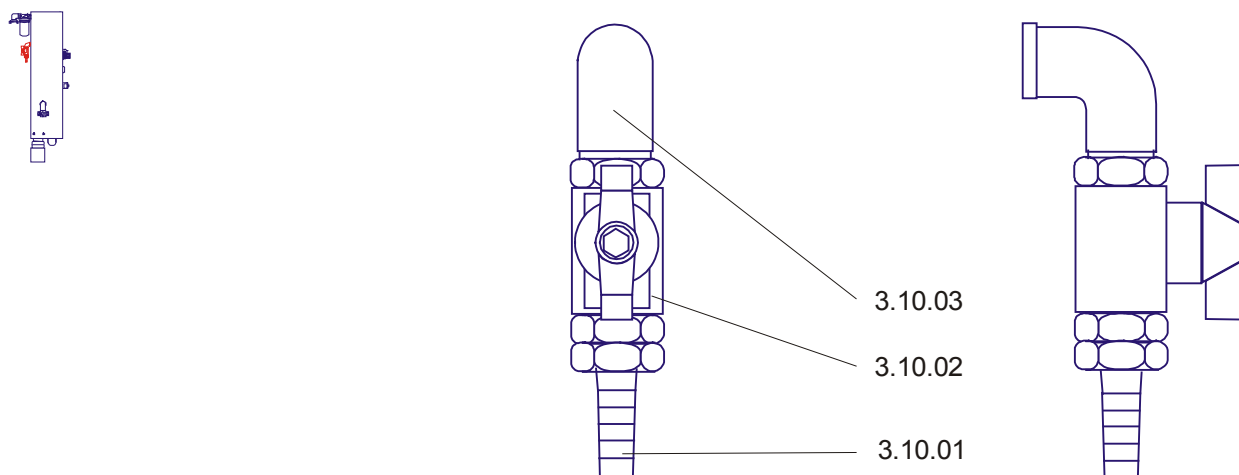


**3.09.00 Connection Blast hose 99 and Switching unit QS8099 (Kit 411)**

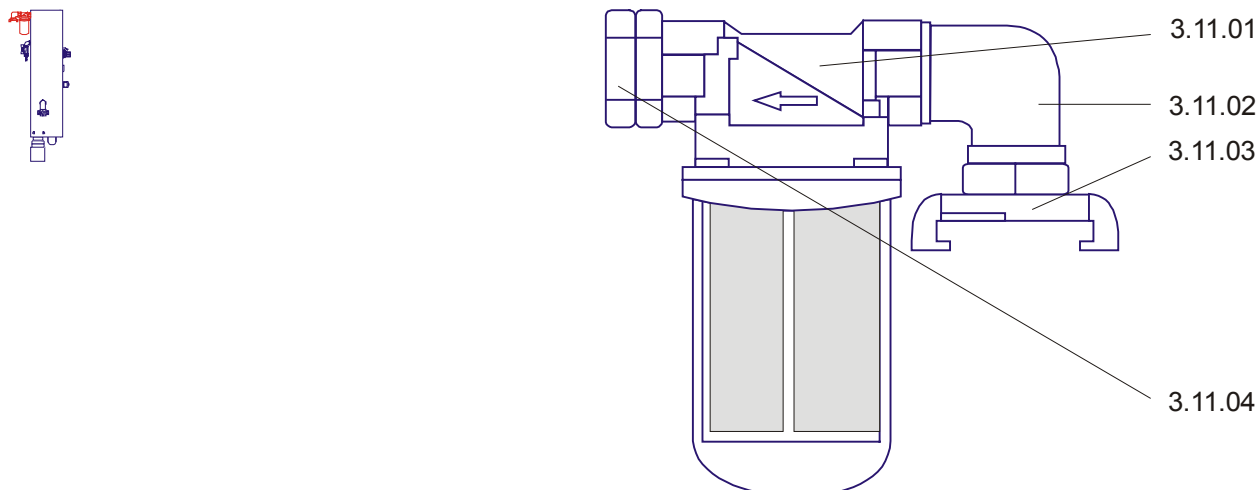
Item	Article	Denomination	Quantity
<b>3.09.00</b>	<b>21 765</b>	<b>Switching unit QS8099 (Kit 411)</b>	
3.09.01	21 755	Plate, Switching unit 8099	1
3.09.02	20 185	Gasket TEK 08095	2
3.09.03	21 891	Fastening element 06-014	4
	21 733	Cylinder-screw DIN 912-M6x120-A2	1
	20 945	Washer DIN 125-6,4-A2	1
	21 397	Feather-ring DIN 137-6,4-A2	1
3.09.04	21 756	Cylinder 8099	1
3.09.05	21 760	Piston 8099	1
3.09.06	21 728	O-Ring 12x1,5	1
3.09.07	21 749	Piston-rod 50/8099	1
3.09.08	21 762	Block III QS8099	1
3.09.09	21 763	Block II QS8099	1
3.09.10		Fastening element	4
	21 732	Cylinder-screw DIN 912-M6x100-A2	1
	21 397	Feather-ring DIN 137-6,4-A2	1
3.09.11	21 764	Block I QS8099	1
3.09.12	21 845	Fastening element 06-013	4
	21 734	Cylinder-screw DIN 912-M6x75-A2	1
	21 397	Feather-ring DIN 137-6,4-A2	1
3.09.13	21 834	Fastening element 08-001	1
	20 109	Hex. screw DIN 933-M8x16-A2	1
	20 118	Washer DIN 125-8,4-A2	1
3.09.14	21 218	Guiding band 08x1,5-1.000 mm	0,250
3.09.15	20 411	Gasket 80x67,5x5,6	1
3.09.16	21 750	Guiding socket 50/8099	1
3.09.17	21 729	Gasket set 20x22x4,3	1
3.09.18	21 730	Wiper 20x8	1
3.09.19	21 759	Locking stopper 8099	1
	21 890	Fastening element 08-009	1
	20 117	Hex. nut DIN 934-M8-A2	1
	20 119	Feather-ring DIN 137-8,4-A2	1
3.09.20	21 727	O-Ring 80,5x2	1
3.09.21	21 758	Counterpart 8099	1
3.09.22	20 236	O-Ring 60x3 mm	1
3.09.23	20 171	Nippel 11/2	1
3.09.24	21 634	Blast hose coupling 1 1/2, F-Thread	1
	20 607	Gasket, Blast hose coupling (NW 42 mm), 11 mm	1
	21 594	Gasket, Blast hose coupling (NW 42 mm), 20 mm	1



If you need more detailed information, please ask your dealer!

**3.10.00 Connection Pump 99 (Kit 203, 205 and 512-X)**

Item	Article	Denomination	Quantity
<b>3.10.00</b>	<b>21 798</b>	<b>Connection DL-DW 99, compl. (Kit 203 and 205)</b>	<b>1</b>
<b>3.10.00</b>	<b>21 964</b>	<b>Connection Extra blasting media, compl. (Kit 512-X)</b>	<b>1</b>
3.10.01	20 218	Fitting 1/2-13 mm, M-Thread (for Kit 203 and 205)	1
	21 937	Push-In 1/2-12, Form GA (for Kit 512-X)	1
3.10.02	20 203	Venting valve 1/2, F-Thread	1
	21 794	Handle 1/2 F-Thread	1
3.10.03	21 743	Elbow 1/2, F/M-Thread	1

**3.11.00 Water connection 99**

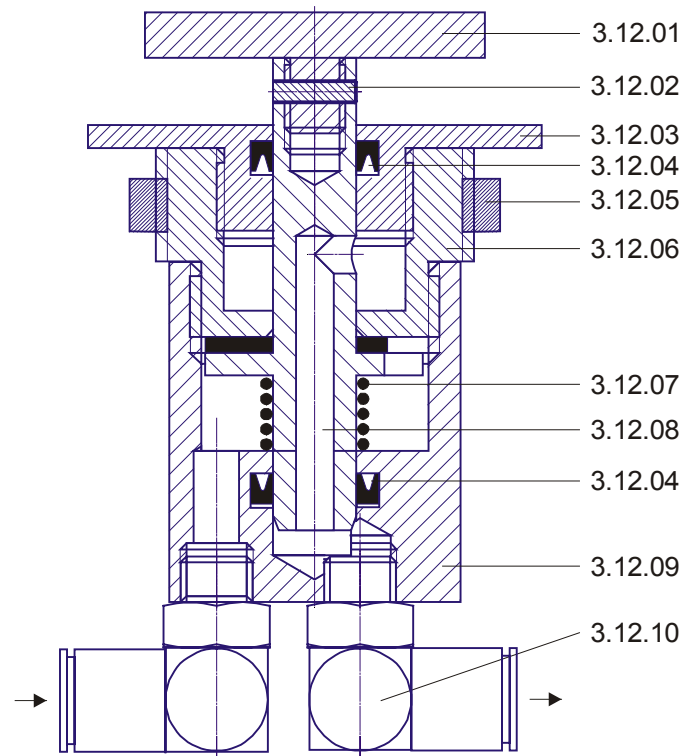
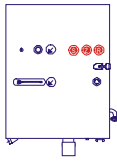
Item	Article	Denomination	Quantity
<b>3.11.00</b>	<b>21 792</b>	<b>Water connection 99, compl.</b>	<b>1</b>
3.11.01	20 187	Fein water filter 1	1
3.11.02	20 158	Elbow 1, F/M-Thread	1
3.11.03	20 839	Pressure water coupling (NW 40 mm) 1, M-Thread	1
3.11.04	21 739	Reduce nipple 1/2-1, F/M-Thread	1



If you need more detailed information, please ask your dealer!



## 3.12.00 Dosing valves

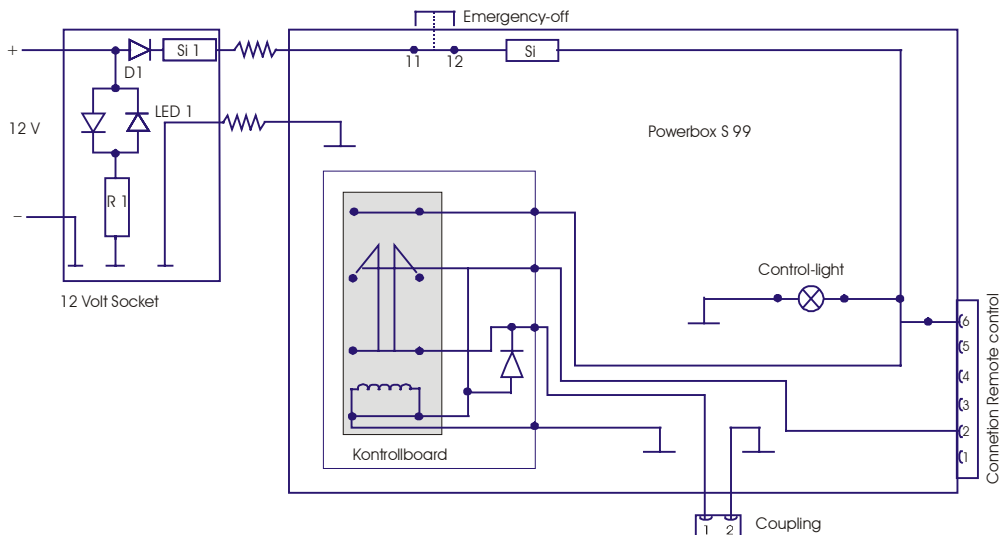
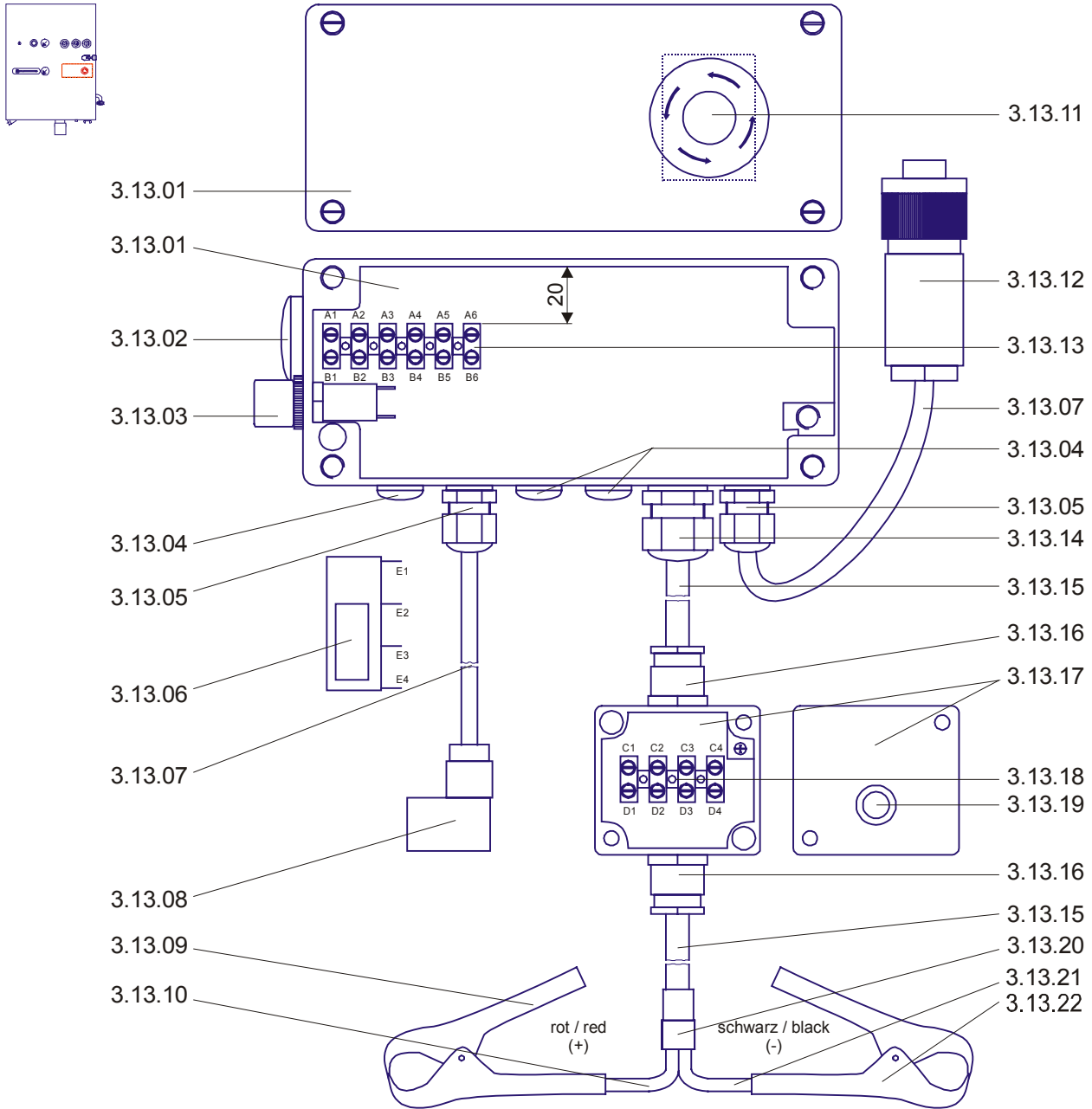


Item	Article	Denomination	Quantity
3.12.00	21 849	Dosing valve 99-03, compl. (Please declare, " S ", " Z " or " R ")	1
	21850	Dosing valve 99-06, compl. (Please declare " S ", " Z " or " R ")	1
3.12.01	21 664	Hand-wheel DV 99	1
	21 857	Sticker S	1
	21 858	Sticker Z	1
	21 859	Sticker R	1
	22 106	Sticker protection-foil Hand-wheel 99	1
3.12.02	21 921	Screw thread-pen DIN 913-M4x10-A2	1
3.12.03	21 665	Scale, Dosing valve 98	1
	22 033	Sticker Skala 99-03	1
	22 034	Sticker Skala 99-06	1
	22 233	Sticker protection-foil Skala 99	1
3.12.04	20 893	Gasket 11x17x4	2
3.12.05	22 046	Check nut 1 1/4	1
3.12.06	21 917	Insert 99-03	1
	21 918	Insert 99-06	1
3.12.07	21 916	Pressure-feather DV 99	1
3.12.08	21 667	Pestles, Dosing valve 98	1
3.12.09	21 922	Base element DV 99	1
3.12.10	20 135	Push-In 1/8-08, Form WA	1



If you need more detailed information, please ask your dealer!

3.13.00 Powerbox S99, compl



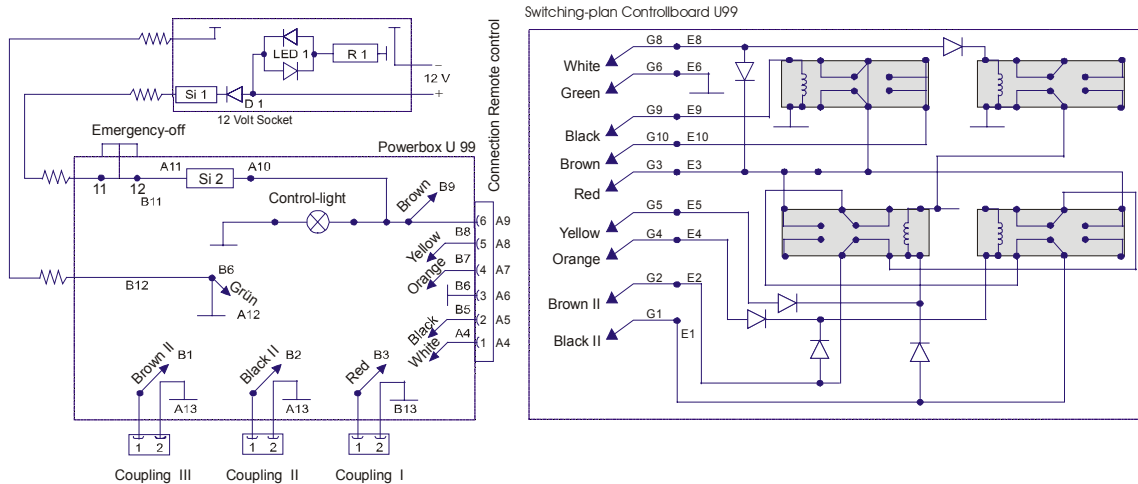
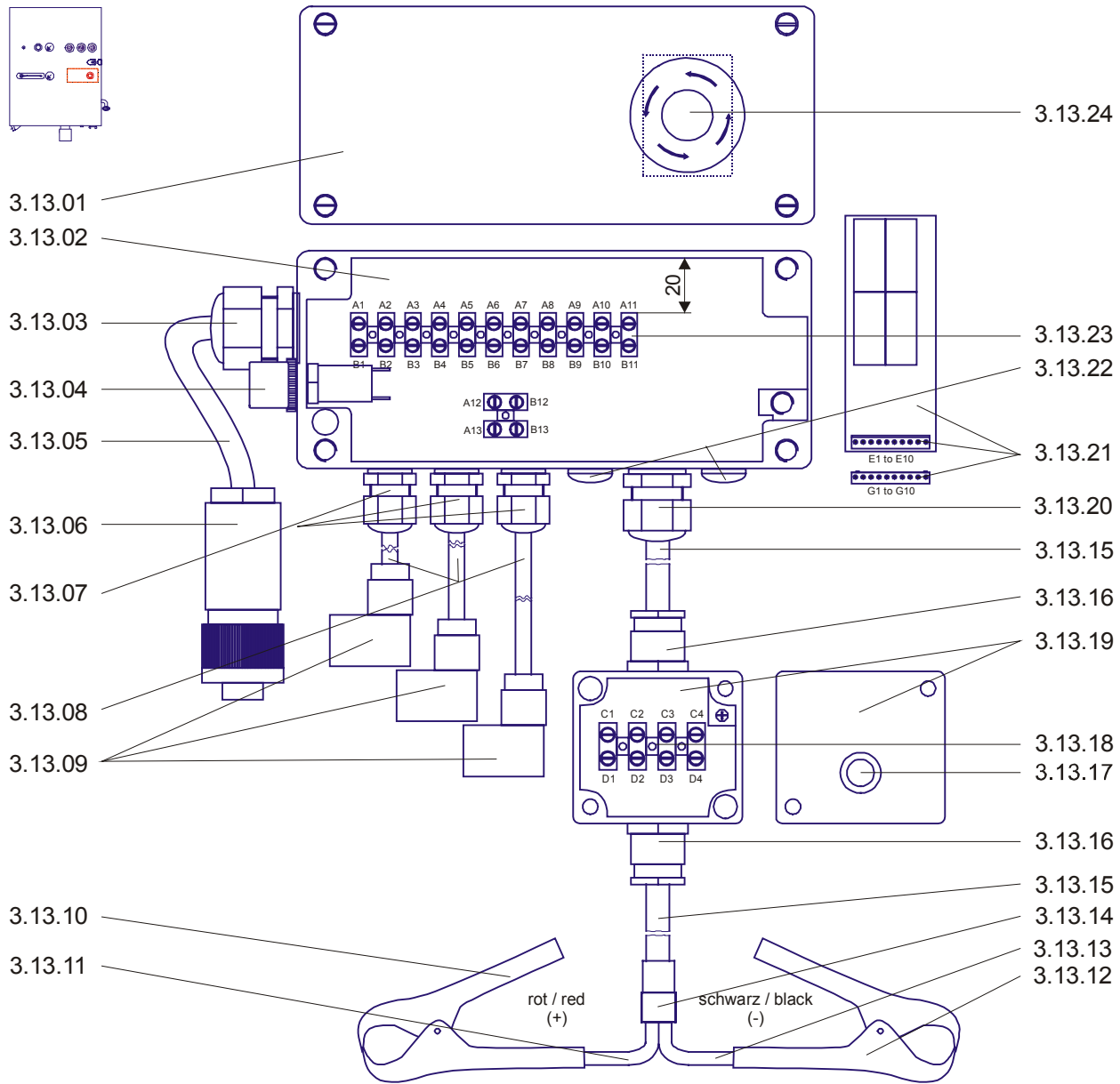
**3.13.00 Powerbox S99, compl.**

Item	Article	Denomination	Quantity
<b>3.13.00</b>	<b>21 907</b>	<b>Powerbox S00, compl.</b>	<b>1</b>
	<b>20 511</b>	<b>Socket, compl.</b>	<b>1</b>
3.13.01	21 928	Casing, Powerbox S99	1
3.13.02	21 930	Stopper PG 11	1
	21 325	Gasket PG 11	1
3.13.03	22 226	Controllamp, Powerbox FB S-U 99	1
3.13.04	20 450	Stopper PG 7	3
	21 323	Gasket PG 7	3
3.13.05	20 451	Screwing with strain relief PG 7	2
	21 323	Gasket PG 7	2
3.13.06	21 351	Controllboard FB S (innen)	1
3.13.07	21 342	Cable 2x0,75 – 1 m	1,3
3.13.08	21 547	Coupling with Led (Port valve)	1
3.13.09	20 683	Pole tong red	1
3.13.10	21 029	Tube 06x1-2.000 mm, PA red	0,250
3.13.11	21 860	Emergency-off-switch 99	1
3.13.12	21 803	Coupling 99	1
3.13.13	21 329	Terminal block (6er)	1
3.13.14	21 136	Screwing with strain relief PG 9	1
	21 324	Gasket PG 9	1
3.13.15	20 800	Cable 2x1-500 m	12,500
3.13.16	21 402	Screwing with strain relief PG 9, Messing	2
3.13.17	21 321	Casing, Socket	1
3.13.18	21 328	Terminal block 4er	1
3.13.19	21 125	LED red/green	1
	21 237	Casing, LED	1
3.13.20	21 338	Protective tube 12/3-1 m (sticks)	0,050
3.13.21	21 031	Tube 06x1-2.000 mm, PA blue	0,250
3.13.22	20 682	Pole tong black	1



If you need more detailed information, please ask your dealer!

3.13.00 Powerbox U99, compl.



Connect B6 with A12 and B12 with B13 !

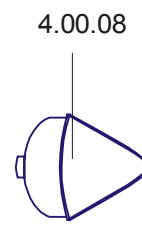
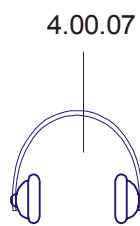
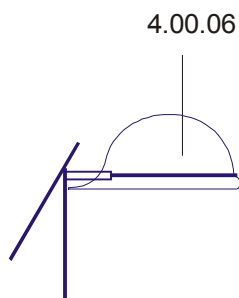
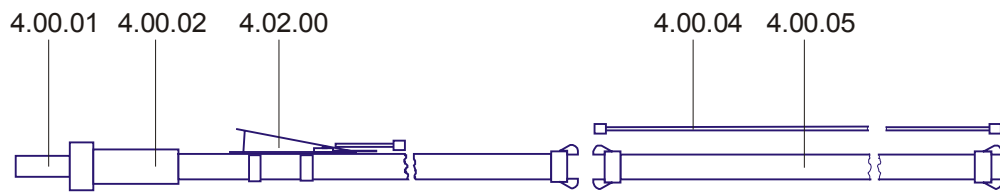
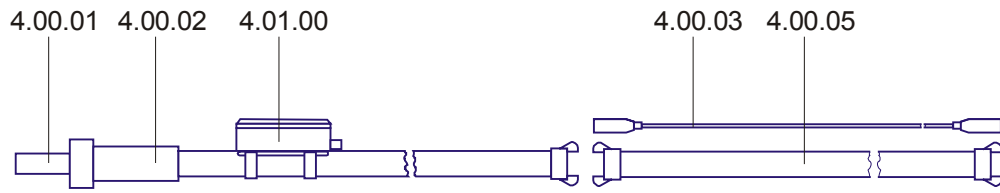
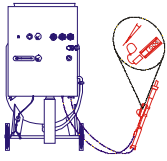
**3.13.00 Powerbox U99, compl.**

Item	Article	Denomination	Quantity
<b>3.13.00</b>	<b>21 852</b>	<b>Powerbox U99, compl.</b>	<b>1</b>
	<b>20 511</b>	<b>Socket, compl.</b>	<b>1</b>
3.13.01	21 928	Casing, Powerbox U99	1
3.13.02			
3.13.03	20 457	Screwing with Strain Relief PG 11	1
	21 325	Gasket PG 11	1
3.13.04	22 226	Controllamp, Powerbox FB 99	1
3.13.05	90 413	Cable 7x1-100 m (grey)	0,700
3.13.06	21 804	Coupling 99, PG 13,5	1
3.13.07	20 451	Screwing with Strain Relief PG 7	3
	21 323	Gasket PG 7	3
3.13.08	90 350	Cable 2x0,75 – 1 m	3,9000
3.13.09	21 547	Coupling with LED (Port valve)	3
3.13.10	20 683	Polzange red	1
3.13.11	21 029	Tube, 06x1-2.000 mm, PA-red	0,250
3.13.12	20 682	Polzange black	1
3.13.13	21 031	Tube, 08x1-2.000 mm, PA-blue	0,250
3.13.14	21 338	Protection tube 12/3-1 m (sticks)	0,050
3.13.15	20 800	Cable 2x1-500 m	12,500
3.13.16	21 402	Screwing with Strain Relief PG 9, bress	2
3.13.17	21 125	LED rot/green	1
3.13.18	21 328	Termial block 4er	1
3.13.19	21 321	Casing, Socket	1
3.13.20	21 136	Screwing with Strain Relief PG 9	1
	21 324	Gasket PG 9	1
3.13.21	21 861	Controllbord U99 neu	1
3.13.22	20 450	Fitting PG 7 (blind)	2
	21 323	Gasket PG 7	2
3.13.23	21 332	Termial block 12er	1
	21 326	Termial block 2er	1
3.13.24	21 860	Emergency-off-switch 99, compl.	1



If you need more detailed information, please ask your dealer!

### 4.00.00 Standard Equipment



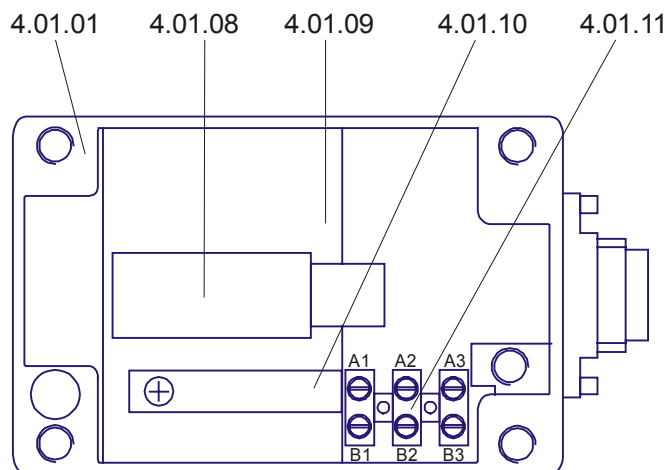
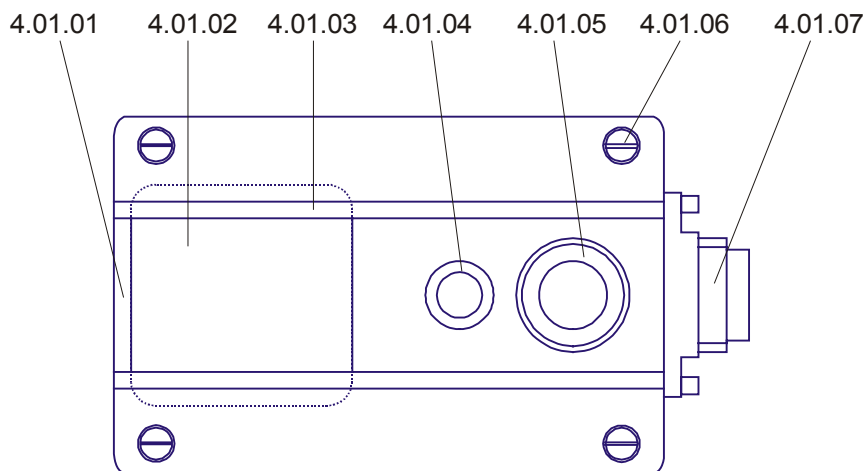
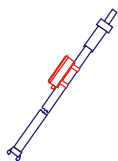
**4.00.00 Standard Equipment**

Item	Article	Denomination	Quantity
4.00.01		Blasting nozzle	1
	21 983	torbo-Blasting nozzle Soft 08 (8 mm)	
	21 985	torbo-Blasting nozzle Cylinder 08 (8 mm)	
	21 570	torbo-Blasting nozzle Venturi Nr. 5 (8 mm)	
	21 571	torbo-Blasting nozzle Venturi Nr. 6 (9,5 mm)	
	21 572	torbo-Blasting nozzle Venturi Nr. 8 (12,5 mm)	
	21 113	torbo-Blasting nozzle Laval with Vorsatzdüse 6 mm	
	21 114	torbo-Blasting nozzle Laval with Vorsatzdüse 8 mm	
	21 115	torbo-Blasting nozzle Laval with Vorsatzdüse 10 mm	
	21 116	torbo-Blasting nozzle Laval with Vorsatzdüse 12 mm	
	21 117	torbo-Blasting nozzle Laval with Vorsatzdüse 14 mm	
	20 528	torbo-Blasting nozzle Laval 16 mm	
4.00.02		Handheld lance with Nozzle-holder und Coupling	1
	21 184	Handheld lance 13-2,5 (1/2" – 2,5 m long)	
	21 185	Handheld lance 19-2,5 (3/4" – 2,5 m long)	
	21 186	Handheld lance 25-2,5 (1" – 2,5 m long)	
	21 187	Handheld lance 32-2,5 (1 1/4" – 2,5 m long)	
		Nozzle-holder	
		Nozzle-holder for hose 13/7 and Nozzle Soft 08	
		Nozzle-holder for hose 19/7 and Nozzle Soft 08	
		Nozzle-holder for hose 19/7 and Nozzle Cylinder / Venturi	
		Nozzle-holder for hose 25/7 and Nozzle Cylinder / Venturi	
		Nozzle-holder for hose 32/8 and Nozzle Cylinder / Venturi	
	21 592	Nozzle-holder for hose 19/7 and Nozzle Laval	
	21 589	Nozzle-holder for hose 25/7 and Nozzle Laval	
	21 590	Nozzle-holder for hose 32/8 and Nozzle Laval	
		Blast coupling	
	21 127	Blast coupling for hose 13/7	
	20 681	Blast coupling for hose 19/7	
	20 435	Blast coupling for hose 25/7	
	20 583	Blast coupling for hose 32/8	
	20 607	Gasket, Blast coupling (NW 42 mm), 11 mm long	
	21 594	Gasket, Blast coupling (NW 42 mm), 20 mm long	
4.00.03	21 956	25 m Extension-cable for Remote control FB S99	
	21 803	Coupling, Cable S99	
	21 805	Plug, Cable S99	
	20 563	25 m Cable FBS	
4.00.04		20 m Extension-tube for Remote control SL00	
		Coupling, hose SL00	
		20 m hose (blue/red) SL00	
4.00.05	20 918	20 m Blasting hose 13/7 with Couplings	
	20 479	20 m Blasting hose 19/7 with Couplings	
	20 478	20 m Blasting hose 25/7 with Couplings	
	20 477	20 m Blasting hose 32/8 with Couplings	
4.00.06	20 278	Helmet with double Face-protection, compl.	
	20 189	Helmet	
	20 179	Windshield with Wire-tissues	
	20 247	Windshield without Wire-tissues	
	20 178	Bracket, Face-protection	
4.00.07	20 188	Hearing-protection	
4.00.08	20 347	Fine-dusk-mask	
4.01.00		Remote control FB S99 (electrical)	look page 46
4.02.00		Remote control FB S99 (electrical)	look page 48
4.03.00		Remote control SL00 (pneumatical)	look page 50

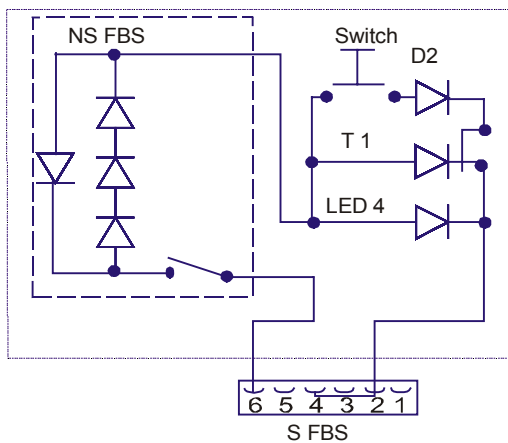


If you need more detailed information, please ask your dealer!

4.01.00 Remote control FB S99



Switch-plan





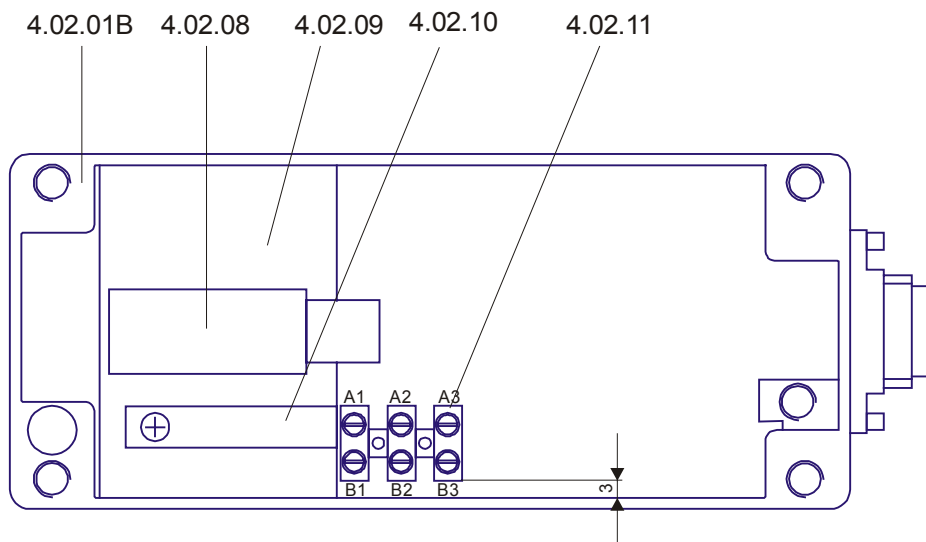
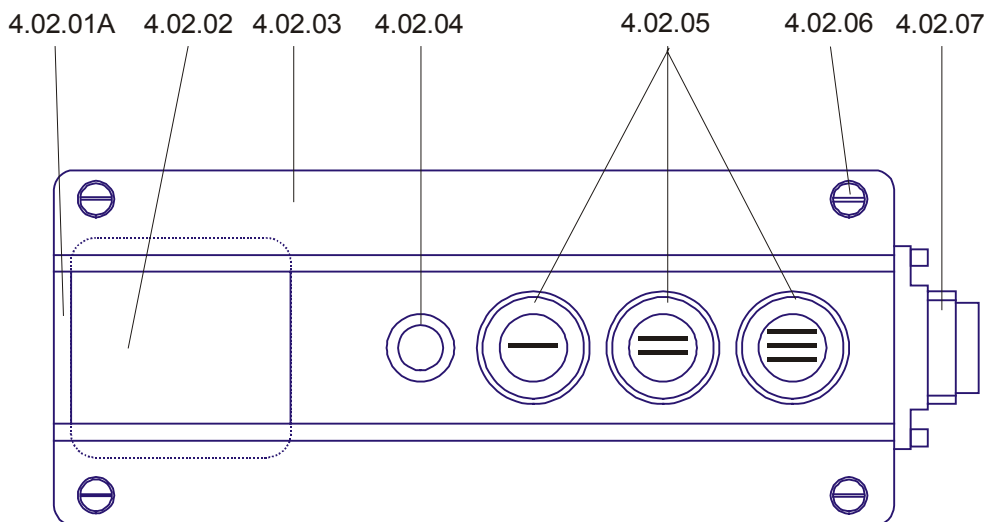
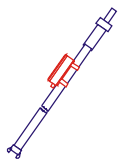
**4.01.00 Remote control FB S99**

<b>Item</b>	<b>Article</b>	<b>Denomination</b>	<b>Quantity</b>
<b>4.01.00</b>	<b>21 807</b>	<b>Remote control FB S99, compl.</b>	<b>1</b>
	20 447	Belt	2
4.01.01	21 923	Casing, FB S99	1
4.01.02	90 352	Plate, Remote controlen FB 95	1
4.01.03	21 352	Holder FB S (above)	2
	21 606	Frontification-rail FB S (below)	2
4.01.04	21 334	LED 95 (green) with Casing, compl.	1
4.01.05	21 123	Switch for FB with Protective hood, compl.	1
	21 355	Switch for FB95	1
	21 299	Protective hood, Switch FB95	1
4.01.06	21 924	Cylinder-screw DIN 84-M4x25-A2	2
4.01.07	21 873	Plug FB 99 (install)	1
	20 383	Cylinder-screw DIN 912-M3x10-A2	2
4.01.08	21 359	Micro switch FB 95 (with Cable)	1
4.01.09	21 356	Bracket, Micro switch FB 95	1
4.01.10	21 357	Thyristor, compl. (with Cable)	1
	21 927	Spax's Screw DIN 7997-2,5x12	1
4.01.11	21 327	Terminal block 3er	1

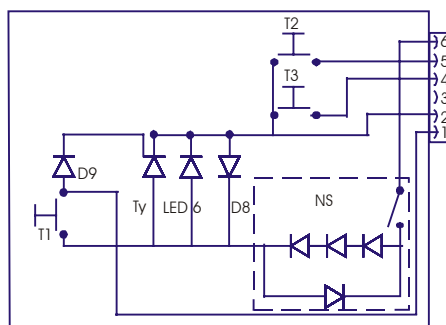


If you need more detailed information, please ask your dealer!

4.02.00 Remote control FB U99



Switching-plan

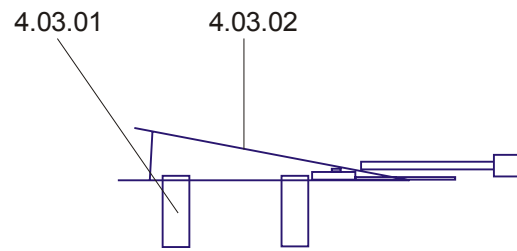
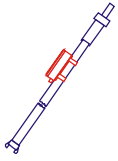


**4.02.00 Remote control FB U99**

<b>Item</b>	<b>Article</b>	<b>Denomination</b>	<b>Quantity</b>
<b>4.02.00</b>	<b>21 808</b>	<b>Remote control FB U99, compl.</b>	<b>1</b>
	20 447	Belt	2
4.02.01	22 267	Casing, FB U99	1
4.02.02	90 352	Blechplatte, Remote controlen FB 95	1
4.02.03	21 352	Holder FB S (above)	2
	21 606	Frontification-rail FB S (below)	2
4.02.04	21 334	LED 95 (green) with Casing, compl.	1
4.02.05	21 123	Switch for FB with Protective hood, compl.	3
	21 355	Switch for FB95	3
	21 299	Protective hood, Switch FB95	3
4.02.06	21 924	Cylinder-screw DIN 84-M4x25-A2	2
4.02.07	21 873	Plug FB 99 (install)	1
	20 383	Cylinder-screw DIN 912-M3x10-A2	2
4.02.08	21 359	Micro switch FB 95 (with Cable)	1
4.02.09	21 356	Bracket, Micro switch FB 95	1
4.02.10	21 357	Thyristor, compl. (with Cable)	1
4.02.11	21 927	Spax`s Screw DIN 7997-2,5x12	1
	21 327	Terminal block 3er	1



If you need more detailed information, please ask your dealer!

**4.03.00 Remote control SL00**

Item	Article	Denomination	Quantity
4.03.01	20 447	Belt	2
4.03.02	22 092	Remote control SL00	1



If you need more detailed information, please ask your dealer!

